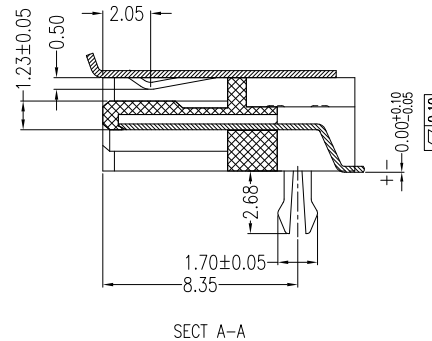


PCB LAYOUT(T=1.60mm)  
COMPONENT SIDE



**NOTES:**

**\*Material**

Housing: LCP, UL 94V-0 Rated; Color:Black.  
 Contact: Phosphor Bronze  
 Plating: Au plating on contact area;  
           Sn(100u" Min.) plating on solder tail;  
           Ni(40u" Min.) underplating overall.  
 Harpoon: Brass  
 Plating: Sn(100u" Min.) plating over Ni(50u" Min.)  
 Shell: Brass; Ni(40u" Min.) Plating Overall.

**\*Mechanical**

Insertion Force: 45N Max.  
 Withdrawal Force: 10N Min.  
 Durability: 50 cycles

**\*Electrical Specification**

Current Rating: 1.5 Ampere per contact  
 Contact Resistance: 30mΩ Max.  
 Insulation Resistance: 1000MΩ Min.  
 Dielectric Withstanding Voltage: 500V AC

**\*Environmental**

Operating Temperature: -55°C to +85°C

**RoHS Compliant**

TOLERANCES ARE



煜倫股份有限公司

www.morethanall.com

DRAWING BY CY

CHECKED BY GENIUS

UNIT / mm

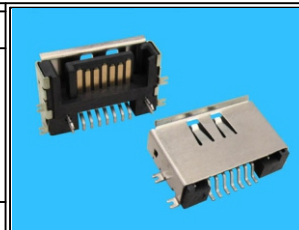
SCALE 1 : 1

DATE

SIZE A4

PJECTION

X, ±  
 X ± 0.35  
 .XX ± 0.25  
 .XXX ± 0.15  
 ANG ± 3°



**ORDER INFORMATION**

SATA-PWAMZ-07-LF  
 SERIES | | | | LEADFREE  
 | | | | 07 WAY  
 | | | | CLIP  
 MALE | | | | METAL  
 | | | | UPPER CONTACT  
 | | | | 90°SMT

DESCRIPTION: SATA 7 Pin Standard 90° (SMT Type)