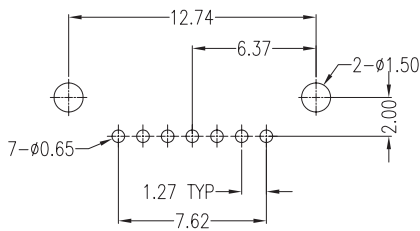
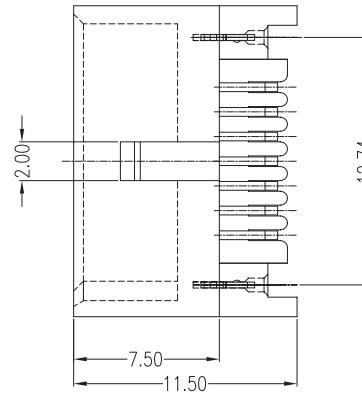
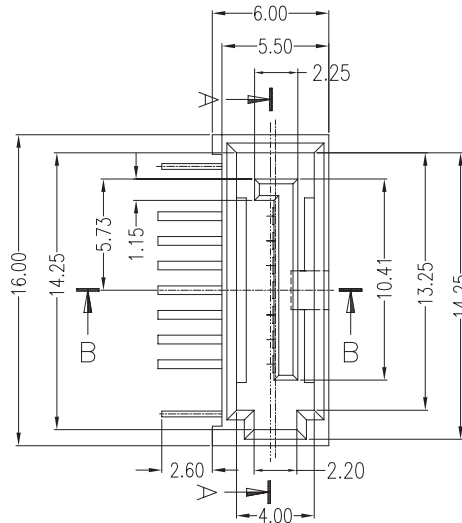
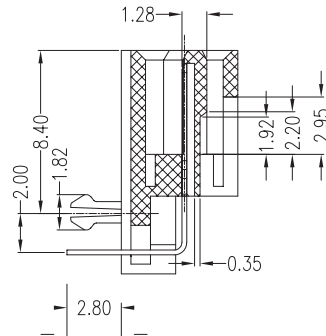


SECT A-A



P.C.B. Layout



SECT B-B

NOTES

*Material

Housing: LCP, UL 94V-0 Rated, Color:Black.
 Contact: Brass
 Plating: Gold Plating Over Nickel on Contact Area; Tin Plating on Solder Tail.

*Electrical Specification

Operation Voltage: 100 VAC Max.
 Current Rating: 1.5 Ampere Per Contact.
 Contact Resistance: 30 Milliohms Max.
 Insulation Resistance: 1000 Megohms Min.
 Dielectric Withstanding Voltage: 500 VAC.

*Environmental

Operating Temperature: -55°C to +125°C

RoHS Compliant

TOLERANCES ARE

MORETHANALL
 PCB CONNECTORS
 Cable ASSEMBLIES

煜倫股份有限公司

www.morethanall.com

DRAWING BY CY

CHECKED BY GENIUS

UNIT / mm

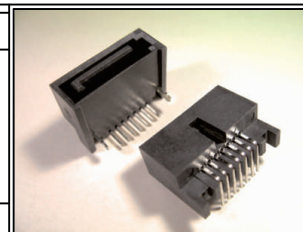
SCALE 1:1

DATE

SIZE A4

PPOJECTION

X, ±
 .X ±
 .XX ±
 .XXX ±
 ANG ±



ORDER INFORMATION

SATA-PRAC60-07-LF
 SERIES | | | | LEADFREE
 | | | | 07 WAY
 | | | | HIGH 6.0mm
 MALE | | | | C TYPE
 | | | | UPPER CONTACT
 | | | | DIP 90°

DESCRIPTION: Serial ATA 7 Pins DIP 90° Shield Type Male