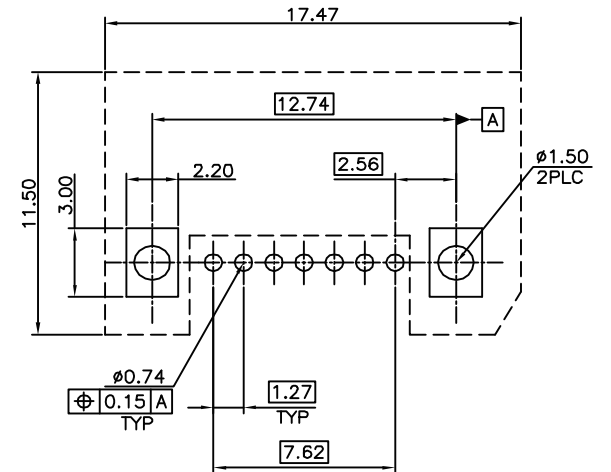


NOTES:
 1.MATERIAL:
 HOUSING:LCP(POLYPLASTICS E130i)WITH 30% G/F UL94 V-0
 COLOR:BLACK
 CONTACT:BRASS
 BOARD LOCK:BRASS
 2.FINISH:
 CONTACT:15u" GOLD/TIN PLATING ON CONTACT AREA
 100u" MIN. TIN-LEAD PLATING ON SOLDER TAILS
 50u" MIN.NICKEL UNDERPLATING OVER ALL
 BOARD LOCK:100u" MIN. TIN-LEAD PLATING ON SOLDER TAILS
 50u" MIN.NICKEL UNDERPLATING OVER ALL



RECOMMEND PCB LAYOUT
 PCB TOLERANCE:±0.05

RoHS Compliant

TOLERANCES ARE

MORETHANALL
 PCB CONNECTORS
 Cable ASSEMBLIES

DRAWING BY CY

CHECKED BY GENIUS

UNIT / mm

SCALE 1 : 1

DATE

SIZE A4

P PROJECTION

X, ±
 .X ± 0.20
 .XX ± 0.08
 .XXX ± 0.05
 ANG ±

照片框

ORDER INFORMATION

SATA-PRAC55-07-LF
 SERIES M | | | | | LEADFREE
 MALE C | | | | | 07 WAY
 HIGH 5.5mm
 C TYPE
 UPPER CONTACT
 DIP 90°

DESCRIPTION:

煜倫股份有限公司

www.morethanall.com