

NOTES

***Material**

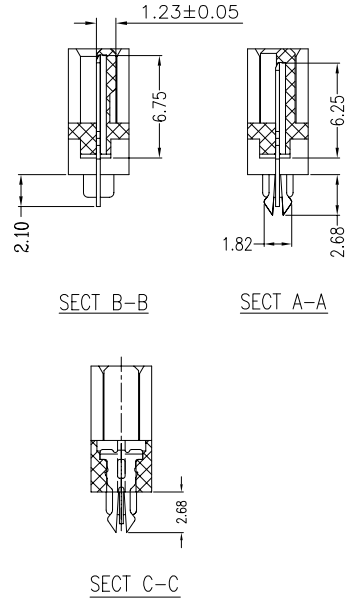
Housing: LCP, UL 94V-0 Rated, Color: Black;
 Contact: Brass;
 Plating: Gold Plating Over Nickel on Contact Area;
 Tin/Lead Plating on Terminal.

***Electrical Specification**

Current Rating: 1.5 Ampere Per Contact;
 Contact Resistance: 30 Milliohms Max.
 Insulation Resistance: 1000 Megohms Min.
 Dielectric Withstanding Voltage: 500 VAC.

***Environmental**

Operating Temperature: -55°C to +125°C



RoHS Compliant

TOLERANCES ARE



煜倫股份有限公司

www.morethanall.com

DRAWING BY CY

CHECKED BY GENIUS

UNIT / mm

SCALE 1 : 1

DATE

SIZE A4

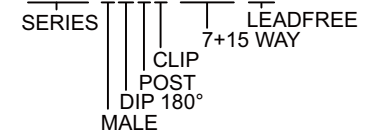
P PROJECTION

X, ±
 .X ±
 .XX ±
 .XXX ±
 ANG ±

照片框

ORDER INFORMATION

SATA-PDPZ-7+15-LF



DESCRIPTION: SATA 7+15P DIP Type