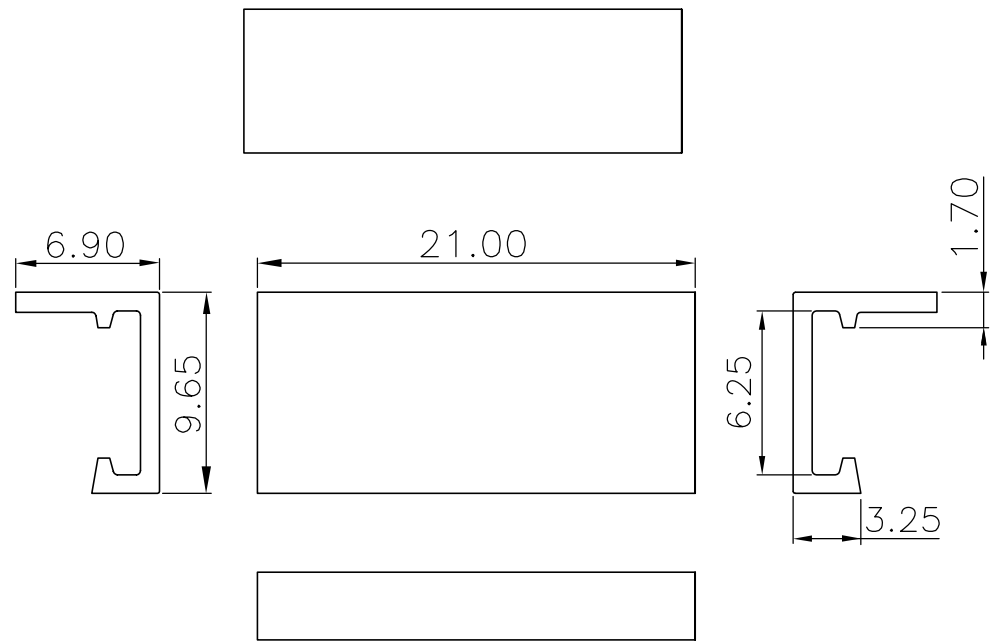


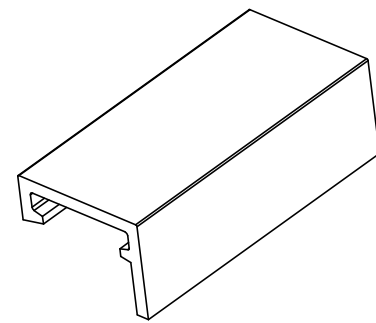
1 2 3 4 5 6 7 8 9 0

J
I
H
G
F
E
D
C
B
A



NOTE :

- * Material : Nylon, UL 94V-2
- * Electrical rating : UL 30V 8.3A, AC/DC
CSA 30V 3.5A, AC/DC
- * Color : Black



SATA-CL-15-LF
LEADFREE
RoHS Compliant

	PART NO. SATA-CL-15		CHECKED BY CY	TOLERANCES ARE .X ± 0.2 .XX ± .XXX ± AWG	DESCRIP TION:			
	DWG NO. SATA-CL-15							
	FILE NO.		PROJECTION	AREA	REVISIONS	HK	DATE	
	UNIT / mm	SCALE 1:1						