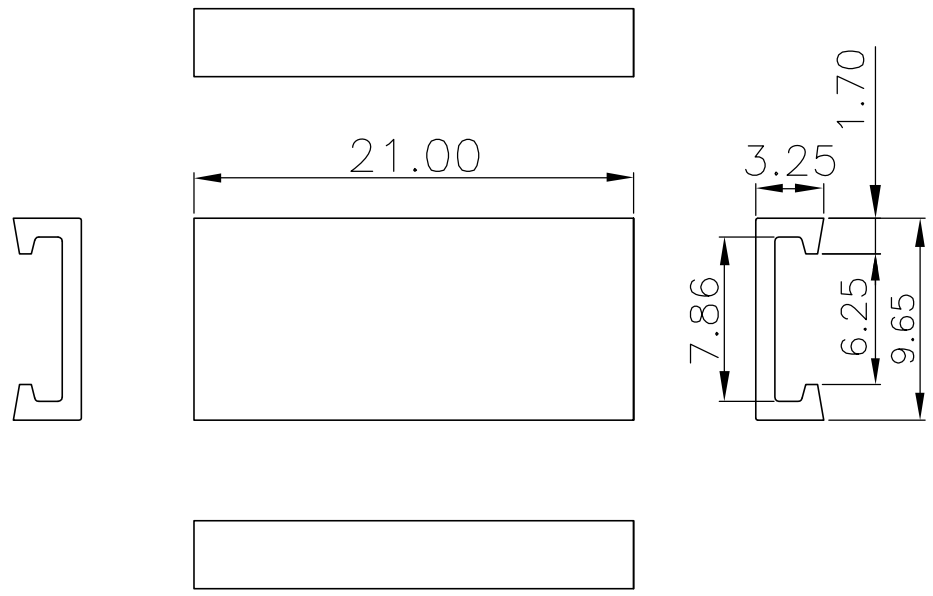
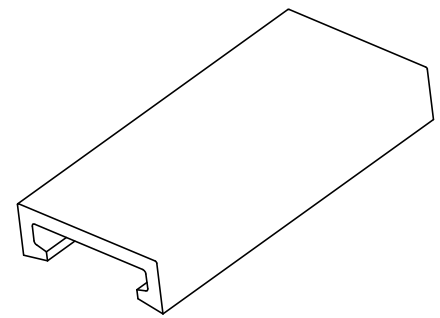


1 2 3 4 5 6 7 8 9 0

J  
I  
H  
G  
F  
E  
D  
C  
B  
A



**NOTE :**  
 \* Material : Nylon, UL 94V-2  
 \* Electrical rating : UL 30V 8.3A, AC/DC  
 CSA 30V 3.5A, AC/DC  
 \* Color : Black



SATA-CC-15-LF  
 LEADFREE  
 RoHS Compliant

	PART NO. SATA-CC-15		CHECKED BY CY	TOLERANCES ARE .X ± 0.2 .XX ± .XXX ± AWG	DESCRIPTION:			
	DWG NO. SATA-CC-15							
焜倫股份有限公司	FILE NO.		PROJECTION	AREA	REVISIONS	HK	DATE	
	UNIT / mm	SCALE 1:1						