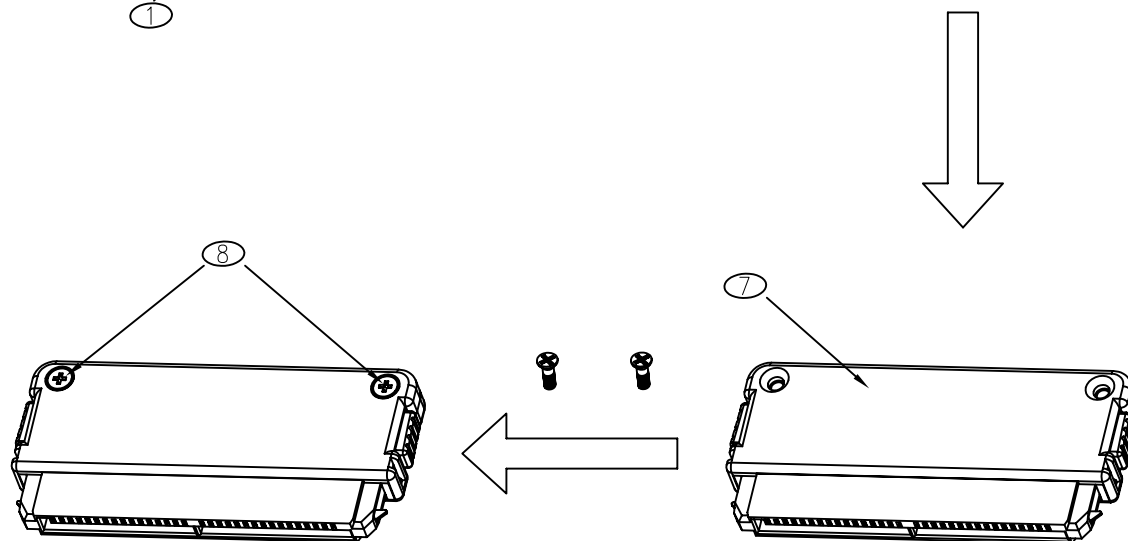


8		020-06-00015	SCREW	2	STEEL
7		020-02-00045	BOTTOM SHELL	1	ABS&PC
6		020-02-00044	UP SHELL	1	ABS&PC
5	020-01-00107	020-02-00046	LATCH BUTTON	2	ABS&PC
4		020-05-00017	LATCH-L	1	STAINLESS
3		020-05-00018	LATCH-R	1	STAINLESS
2	020-04-00051	CONTACT	32	COPPER ALLOY	
1	020-02-00033	BASE	1	THERMAL PLASTIC	
ITEM	P/N	DESCRIPTION	Q'TY	MATERIAL	



NOTES:

- MATERIAL:  
HOUSING: LCP UL94V-0, COLOR: BLACK  
CONTACT: COPPY ALLOY.
- FINSH:  
CONTACT: GOLD PLAING ON CONTACT AREAS;  
TIN (LEAD-FREE) PLATED ON SOLDER TAILS;  
NICKEL UNDERPLATE OVER ALL.

- PRODUCT SPECIFICATION REFERENCE TO \*\*\*\*\*.
- PACKAGING SPECIFICATION REFERENCE TO \*\*\*\*\*.

RoHS Compliant

TOLERANCES ARE

**MORETHANALL**  
PCB CONNECTORS  
Cable ASSEMBLIES

煜倫股份有限公司

www.morethanall.com

DRAWING BY CY

CHECKED BY GENIUS

UNIT / mm

SCALE 1 : 1

DATE

SIZE A4

PPOJECTION

X, ±  
.X ±  
.XX ±  
.XXX ±  
ANG ±



ORDER INFORMATION

SAS-SA-32-LF  
SERIES | LEADFREE  
32 WAY  
ASSEMBLY  
FEMALE

DESCRIPTION: SAS 32P SOCKET STRAIGHT(W/ SHELL) SOLDER TYPE EXPLODE DRAWING