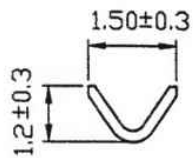
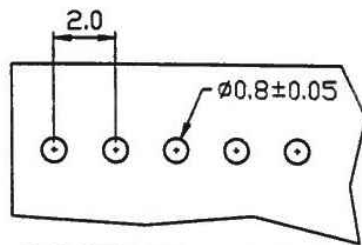
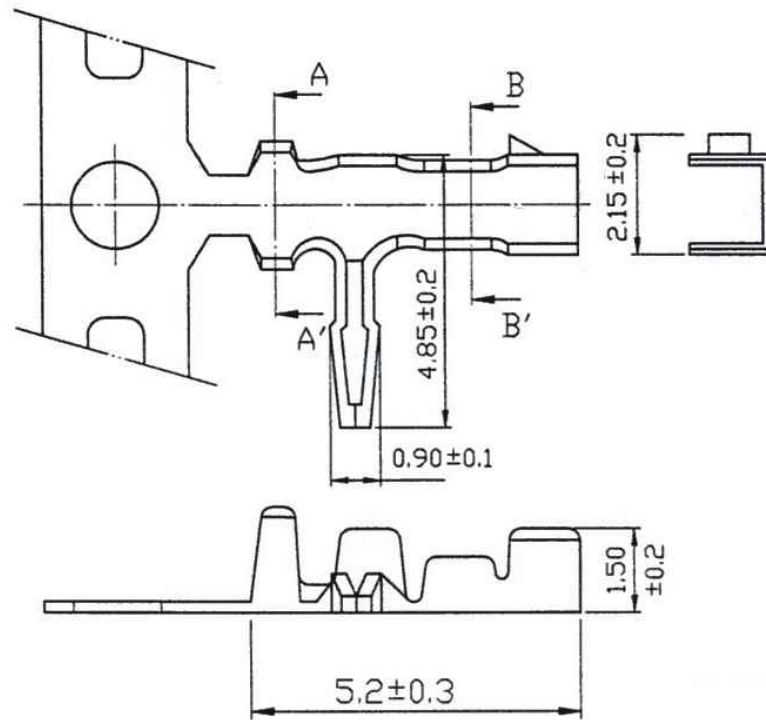


Section A-A'



Section B-B'



P.C. BOARD LAYOUT

- * THICKNESS:0.2mm
- * MAT'L: BRASS TIN PLATED
- * CURRENT RATING: 2A AC,DC
- * VOLTAGE RATING: 200V AC,DC
- * APPLICABLE WIRE RANGE: AWG#24-30
- * TERMINAL SOLDER DIRECTLY TO P.C.B
- * SUITABLE FOR 1.6mm OR 1.2mm THICKNESS P.C.B

SAR-T-24-LF
LEADFREE

RoHS Compliant

MORETHANALL
CONNECTORS
ASSEMBLIES

PART NO. SAR-T-24

DWG NO. SAR-T-24

FILE NO.

CHECKED BY CY

DRAWING BY

TOLERANCES ARE

.X ± 0.2
.XX ±
.XXX ±
AWG

DESCRIPTION:

煜倫股份有限公司

UNIT / mm

SCALE 1:1

PROJECTION



AREA

REVISIONS

HK

DATE