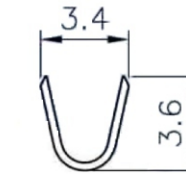


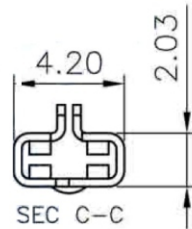
SEC A-A



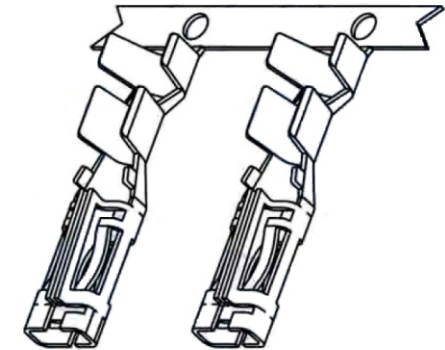
SEC B-B

NOTE :

- * Material : Brass
- * Finish : Plated Tin over Nickel
- * Electronic rating : 600V / 18A AC/DC
- * Applicable wire AWG #18 - #14



SEC C-C



RoHS Compliant

TOLERANCES ARE

MORETHANALL
PCB CONNECTORS
Cable ASSEMBLIES

DRAWING BY CY

CHECKED BY GENIUS

UNIT / mm

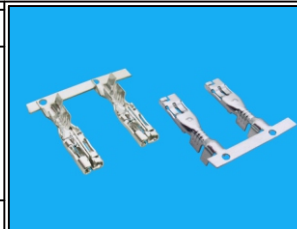
SCALE 1 : 1

DATE

SIZE A4

X, ±
.X ±
.XX ±
.XXX ±
ANG ±

PPOJECTION



ORDER INFORMATION

SAB-FT-14-LF
SERIES | LEADFREE
| 14~18 AWG
TIN
FEMALE TERMINAL

煜倫股份有限公司

www.morethanall.com

DESCRIPTION: