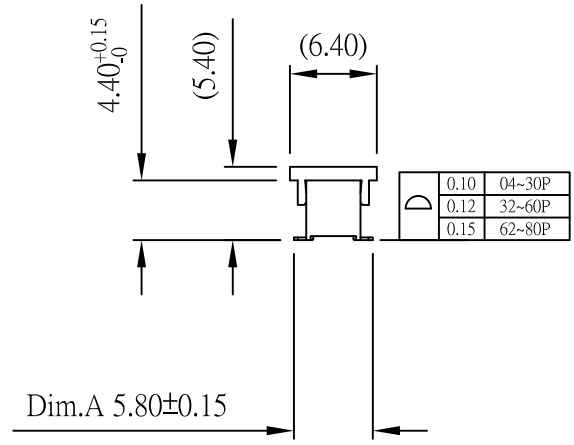
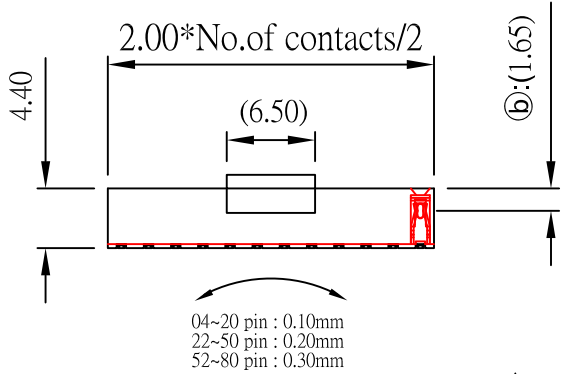
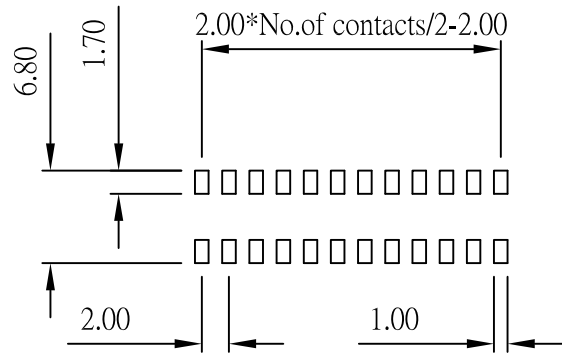
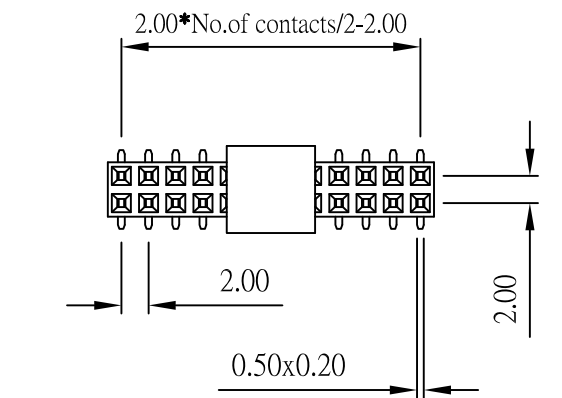
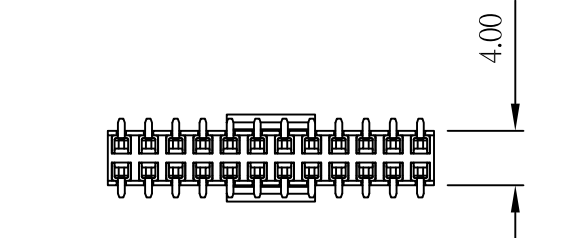


Current Rating and voltage: 2 Amps 250V(r.m.s)
 Insulator Resistance: 5000 Megohms min
 Contact Resistance: 20 m ohms max
 Dielectric Withstanding: 500 V AC
 Operating Temperature: - 40° ~ +105° C
 Max Processing Temp: 230° C for 60 seconds
 Max Processing Temp: 260° C for 10 seconds
 Contact Material: Phosphor Bronze
 Insulator Material: High Temperature Plastic,UL 94V-0
 Finish: Standard: Gold Flash all over

Recommended P.C. Board
SMD Layout



04~20 pin : 0.10mm
 22~50 pin : 0.20mm
 52~80 pin : 0.30mm



RoHS Compliant

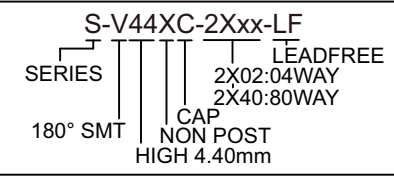
TOLERANCES ARE

MORETHANALL
 PCB CONNECTORS
 Cable ASSEMBLIES
 焯倫股份有限公司
 www.morethanall.com

DRAWING BY CY		X. ±
CHECKED BY GENIUS		.X ± 0.30
UNIT / mm	SCALE 1 : 1	.XX ± 0.20
DATE		.XXX ± 0.10
SIZE A4	PJECTION	ANG ±



ORDER INFORMATION



DESCRIPTION: