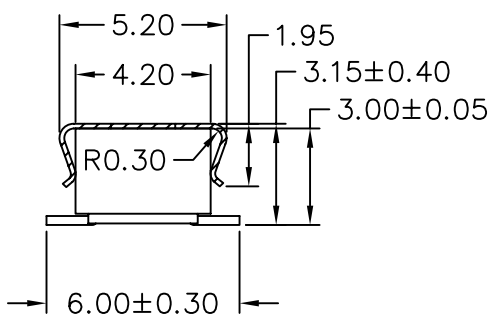
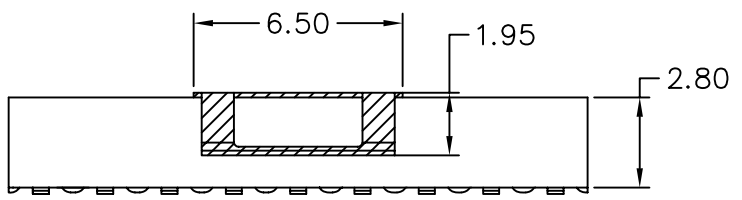
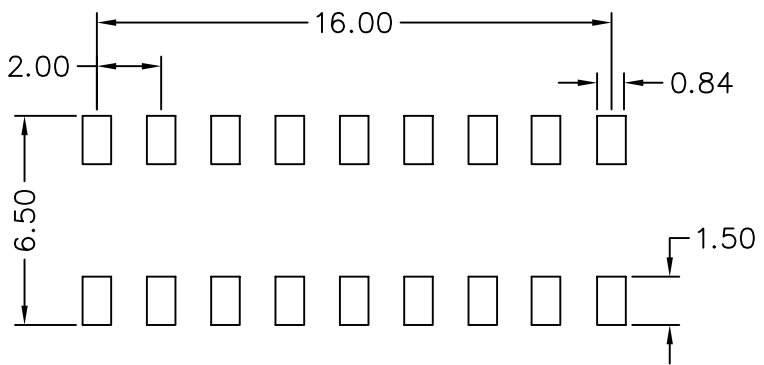


MATERIAL
 Contact Pin : Phosphor Bronze

SPECIFICATION
 Current Rate : 1 AMP
 Insulation Resistance : 5000MΩMin.
 Contact Resistance : 20mΩMax.
 Dielectric Voltage : AC 500V for one minute
 Operation Temperature : -40°C to + 105°C



POLES	DIM A	DIM B	POLES	DIM A	DIM B
2	4.00	2.00	22	42.00	40.00
3	6.00	4.00	23	44.00	42.00
4	8.00	6.00	24	46.00	44.00
5	10.00	8.00	25	48.00	46.00
6	12.00	10.00	26	50.00	48.00
7	14.00	12.00	27	52.00	50.00
8	16.00	14.00	28	54.00	52.00
9	18.00	16.00	29	56.00	54.00
10	20.00	18.00	30	58.00	56.00
11	22.00	20.00	31	60.00	58.00
12	24.00	22.00	32	62.00	60.00
13	26.00	24.00	33	64.00	62.00
14	28.00	26.00	34	66.00	64.00
15	30.00	28.00	35	68.00	66.00
16	32.00	30.00	36	70.00	68.00
17	34.00	32.00	37	72.00	70.00
18	36.00	34.00	38	74.00	72.00
19	38.00	36.00	39	76.00	74.00
20	40.00	38.00	40	78.00	76.00



Recommended P.C.B Layout

S-V30XC-2Xxx-LF
 LEADFREE
 2X02:04WAY
 2X40:80WAY
 RoHS Compliant

	PART NO. S-V30XC-2Xxx		TOLERANCES ARE .X ± 0.3 .XX ± 0.2 .XXX ± ANG	DESCRIPTION: FEMALE HEADER 2.0*2.0mm SMT TYPE, BOTTOM ENTRY HEIGHT 2.8mm, CAP+TUBE
	DWG NO. S-V30XC-2Xxx			
焯倫股份有限公司	FILE NO.		DRAWING BY	AREA REVISIONS HK DATE
	UNIT / mm	SCALE 1:1	PROJECTION	