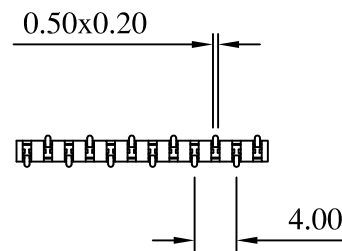
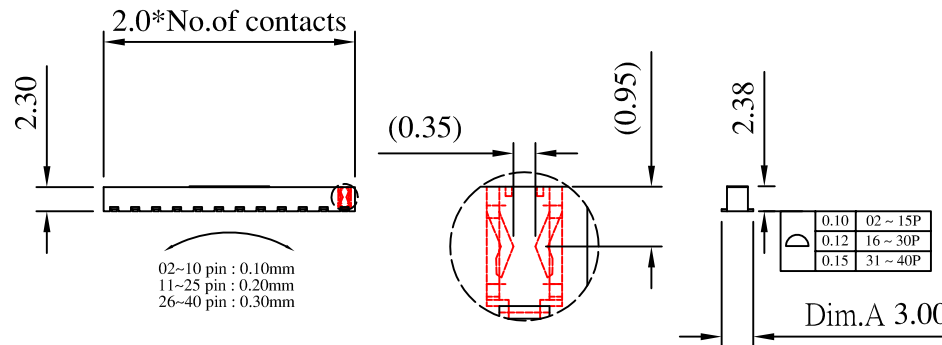
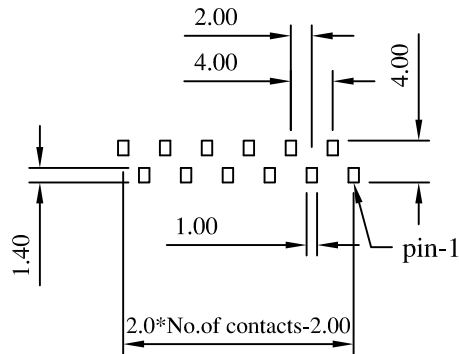


Current Rating and voltage: 2 Amps 250V(r.m.s)
 Insulator Resistance: 5000 Megohms min
 Contact Resistance: 20 m ohms max
 Dielectric Withstanding: 500 V AC
 Operating Temperature: - 40° ~ +105° C
 Max Processing Temp: 230° C for 60 seconds
 Max Processing Temp: 260° C for 10 seconds
 Contact Material: Phosphor Bronze
 Insulator Material: High Temperature Plastic,UL 94V-0
 Finish: Standard: Gold Flash all over

Recommended P.C. Board SMD Layout



RoHS Compliant

TOLERANCES ARE

MORETHANALL
 PCB CONNECTORS
 Cable ASSEMBLIES

煜倫股份有限公司

www.morethanall.com

DRAWING BY CY

CHECKED BY GENIUS

UNIT / mm SCALE 1 : 1

DATE

SIZE A4

X, ±
 .X ± 0.30
 .XX ± 0.20
 .XXX ± 0.10
 ANG ±

PJECTION

照片框

ORDER INFORMATION

S-V23XC-1XxxR-LF
 SERIES | | | | | LEADFREE
 | | | | | R TYPE
 | | | | | 1X02:02 WAY
 180° SMT | | | | | 1X40:40 WAY
 HIGH 2.3mm | MYLAR | NON POST

DESCRIPTION: