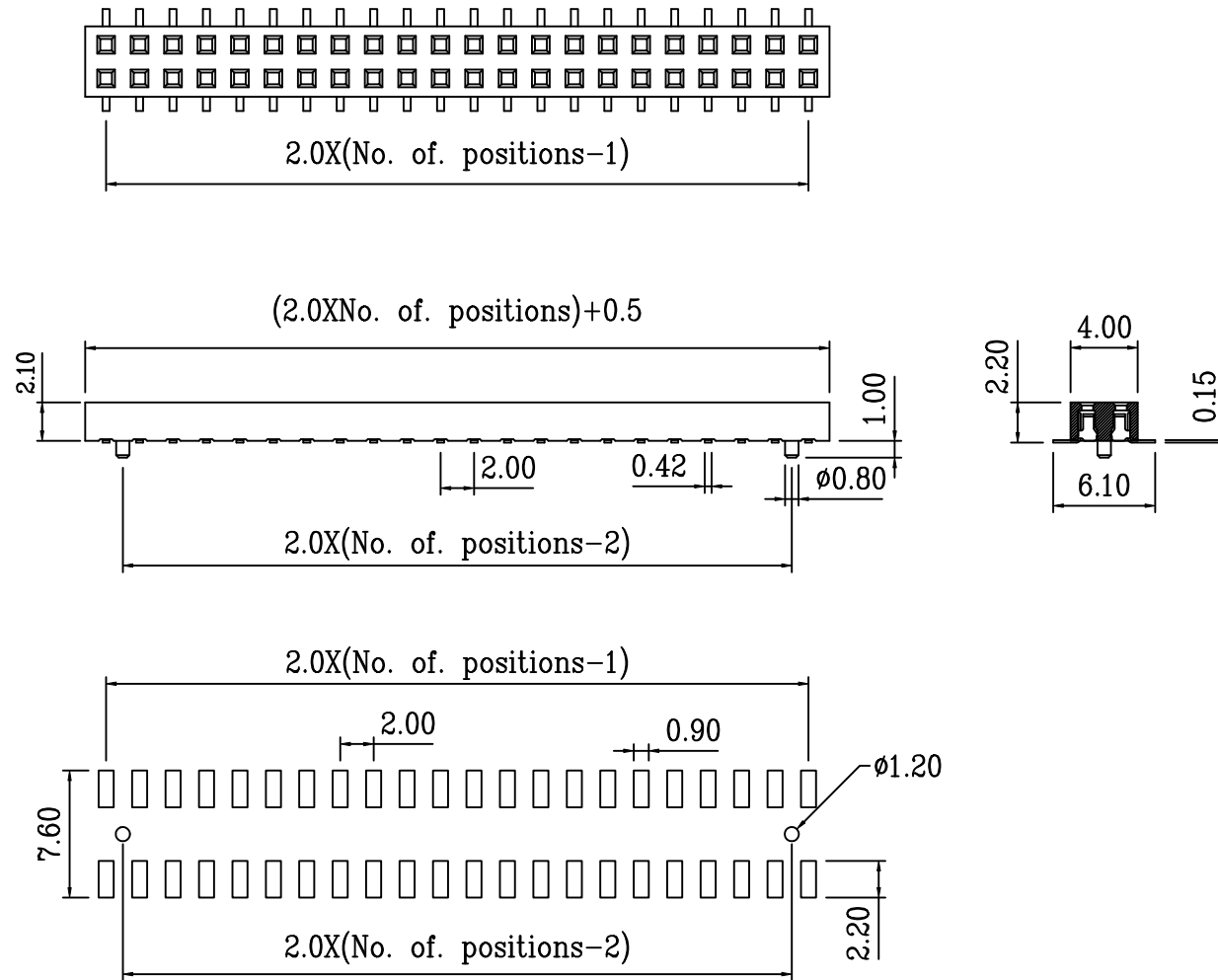


SPECIFICATIONS

- * Current Rating : 1 Amps
- * Insulator resistance: 5000 Megohms min.
- * Dielectric withstanding: AC 500 V
- * Operating Temperature: -40°-+105°C
- * Max Processing Temp: 230° for 30 seconds
(260° for 7 seconds)
- * Contact Material: Phosphor bronze
- * Housing: L.C.P. (UL 94 V-0)



P.C.B. layout

RoHS Compliant

TOLERANCES ARE

MORETHANALL
PCB CONNECTORS
Cable ASSEMBLIES

煜倫股份有限公司

www.morethanall.com

DRAWING BY CY

CHECKED BY GENIUS

UNIT / mm

SCALE 1 : 1

DATE

SIZE A4

X. ± 0.50

.X ± 0.35

.XX ± 0.25

.XXX ± 0.05

ANG ±

PJECTION

照片框

ORDER INFORMATION

S-V22P-2Xxx-LF
SERIES | | | LEADFREE
2X03:06 WAY
2X50:100 WAY
POST
HIGH 2.2mm
180°SMT

DESCRIPTION: 2.0mm Female Socket h=2.2mm type