

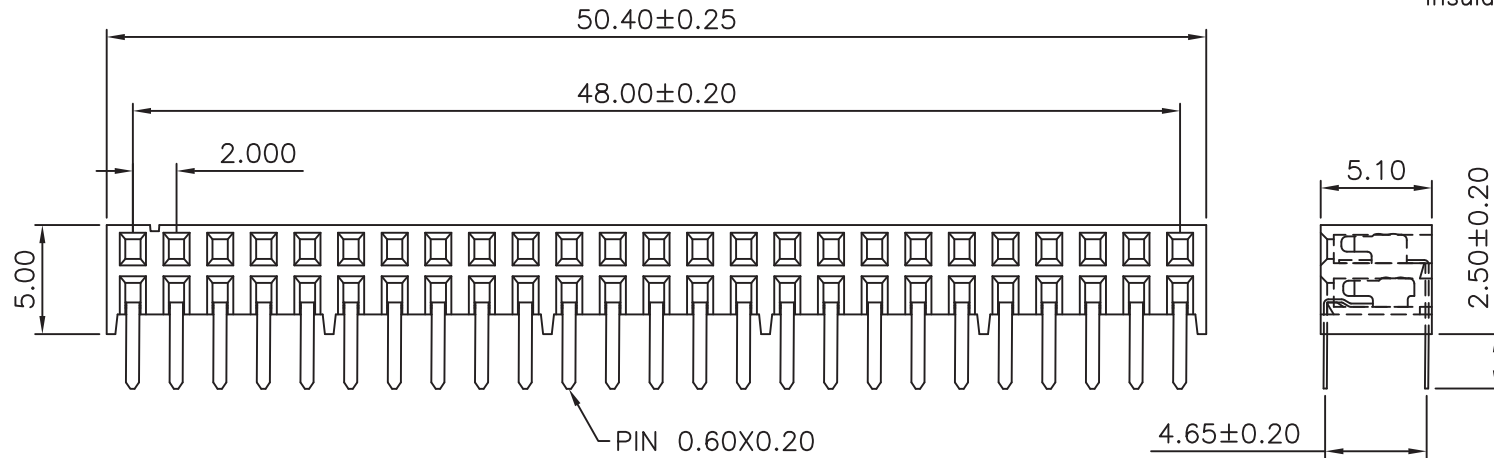


Specifications

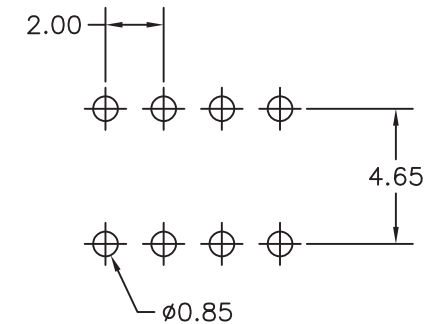
Current Rating: 2Amp  
 Insulation Resistance: 1000MΩ Min.  
 Dielectric Withstanding: 500V AC/DC  
 Contact Resistance: 20mΩ Max.  
 Operating Temperature: -40°C to +105°C

Materials

Contact Material: Phosphor Bronze  
 Insulation Material: Polyester, UL 94V-0  
 Nylon-6T



Recommended P.C.Board  
 Hole Layout



RoHS Compliant

TOLERANCES ARE

**MORETHANALL**  
 PCB CONNECTORS  
 Cable ASSEMBLIES

DRAWING BY CY

CHECKED BY GENIUS

UNIT / mm

SCALE 1:1

DATE

SIZE A4

PPOJECTION

X, ±  
 .X ± 0.38  
 .XX ± 0.25  
 .XXX ± 0.13  
 ANG ±

照片框

ORDER INFORMATION

S-S-2X25-LF  
 SERIES | LEADFREE  
 50 WAY  
 SIDE ENTRY

煜倫股份有限公司

www.morethanall.com

DESCRIPTION: 2.0 FEMALE HEADER SIDE ENTRY SERIES