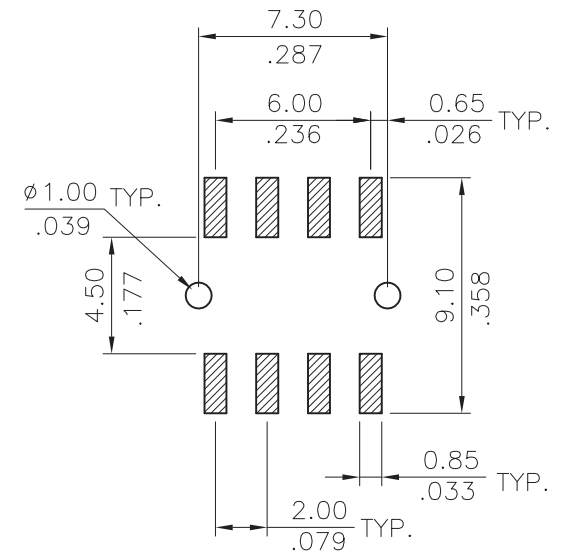


Notes:

- \* Insulation: High Temperature Plastic UL 94V-0
- \* Contact: Phosphor Bronze
- \* For Lead Free IR Reflow Process



Recommended P.C. Board Layout

RoHS Compliant

TOLERANCES ARE

**MORETHANALL**  
PCB CONNECTORS  
Cable ASSEMBLIES

DRAWING BY CY

CHECKED BY GENIUS

UNIT / mm

SCALE 1:1

DATE

SIZE A4

PJECTION

X, ±  
.X ± 0.30  
.XX ± 0.20  
.XXX ± 0.10  
ANG ± 1°

照片框

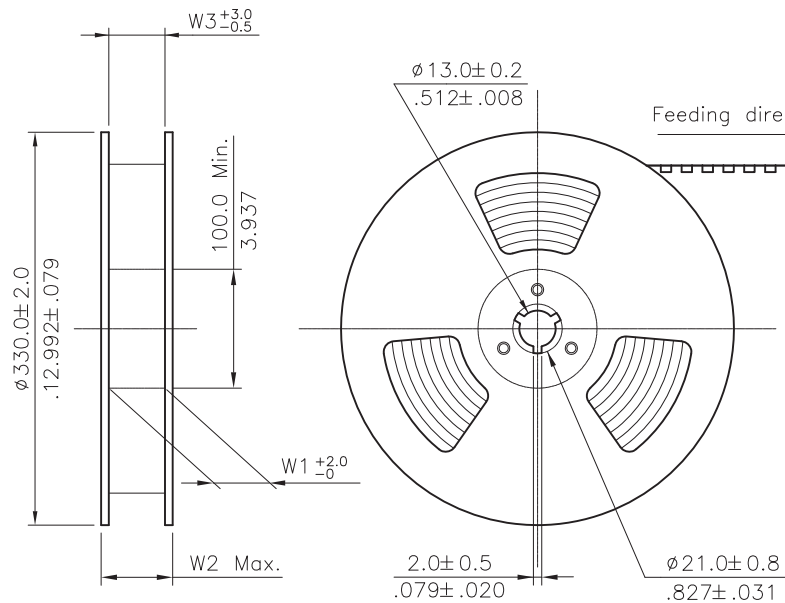
ORDER INFORMATION

S-MPR-2X04-LF  
SERIES REEL POST SIDE ENTRY SMT  
LEADFREE  
08 WAY

DESCRIPTION:

煜倫股份有限公司

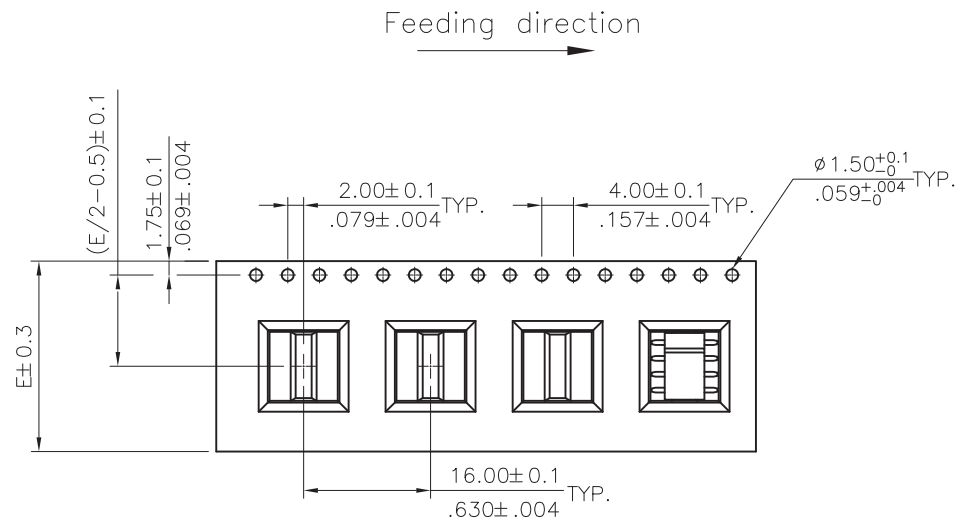
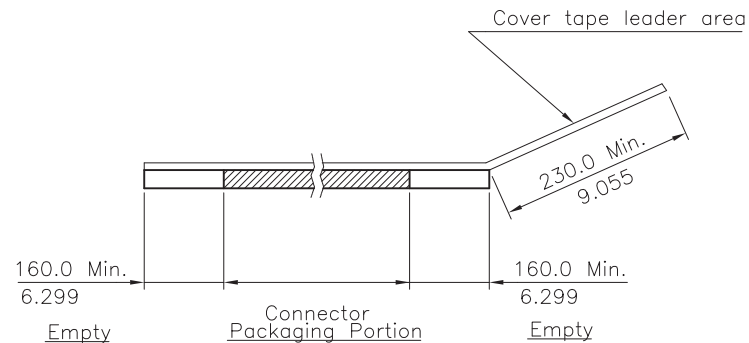
www.morethanall.com



NOTES:

1. 10 sprocket hole pitch cumulative tolerance  $\pm 0.20$
2. Carrier camber is within 1 mm in 100 mm.
3. Material : Black, Transparent Polystyrene Alloy
4. All dimensions meet EIA-481-2 requirements.
5. Thickness :  $0.40 \pm 0.05$ mm.
6. Component load per 13" Reel : 750 pcs.

Circuits	Dimension			
	E	W1	W2	W3
8	24.0(.945)	24.5(.965)	29.1(1.146)	24.5(.965)



WIDTH : 24 mm Carrier

RoHS Compliant

TOLERANCES ARE

**MORETHANALL**  
PCB CONNECTORS  
Cable ASSEMBLIES

DRAWING BY CY

X. ±

CHECKED BY GENIUS

.X ± 0.30

UNIT / mm

SCALE 1 : 1

.XX ± 0.20

DATE

.XXX ± 0.10

ANG ±

SIZE A4

PJECTION

照片框

ORDER INFORMATION

S-MPR-2X04-LF  
SERIES REEL POST SIDE ENTRY SMT  
LEADFREE  
08 WAY

DESCRIPTION:

煜倫股份有限公司

www.morethanall.com