

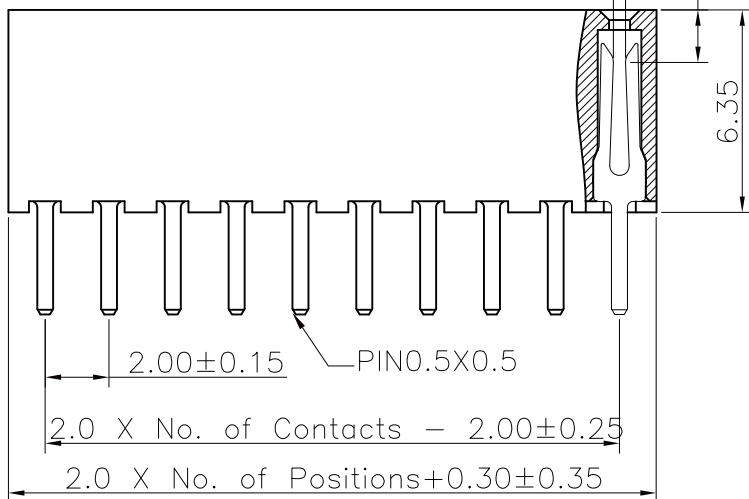
6.00

此排空PIN塞黑KEY

0.38 REF.

1.63 REF.

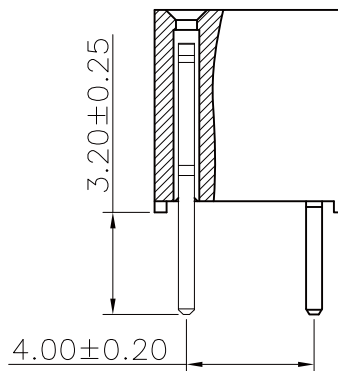
6.35



2.00±0.15 PIN0.5X0.5

2.0 X No. of Contacts - 2.00±0.25

2.0 X No. of Positions + 0.30±0.35

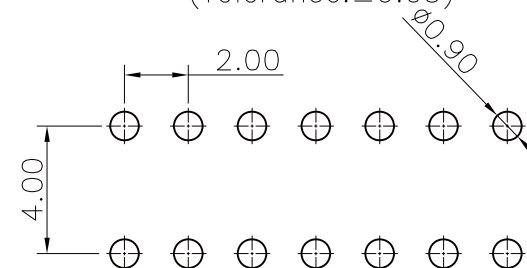


3.20±0.25

4.00±0.20

Specifications
 Current Rating: 2.0Amp
 Insulation Resistance: 1000MΩMin.
 Dielectric Withstanding Voltage: 500VAC
 Contact Resistance: 20mΩMax.
 Operating Temperature: -40°C to +105°C
 Materials
 Contact Material: Phosphor Bronze
 Insulator Material: High Temperature Thermoplastic, UL 94V-0 Nylon or the equivalent material

Recommended P.C.Board Layout
 (Tolerance: ±0.05)



RoHS Compliant

TOLERANCES ARE

MORETHANALL
 PCB CONNECTORS
 Cable ASSEMBLIES

煜倫股份有限公司

www.morethanall.com

DRAWING BY CY

CHECKED BY GENIUS

UNIT / mm

SCALE 1:1

DATE

SIZE A4

P PROJECTION

X. ±
 .X ±
 .XX ±
 .XXX ±
 ANG ±

照片框

ORDER INFORMATION

S-D63-3XxxK-LF
 SERIES | KEY | LEADFREE
 3X02:06WAY
 3X40:120WAY
 HIGH 6.3mm
 DIP 180°

DESCRIPTION: 2.00 FEMALE HEADER TRIPLE ROWS DIP TYPE CONNECTOR