

SPECIFICATIONS

Current Rating:
2 Amp

Voltage Rating:
125V

Insulator resistance:
3000 Megohms Min.

Contact resistance:
20 m ohms Max.

Dielectric withstanding:
AC 500V/minute

Operating Temperature:
-40°~+105°C

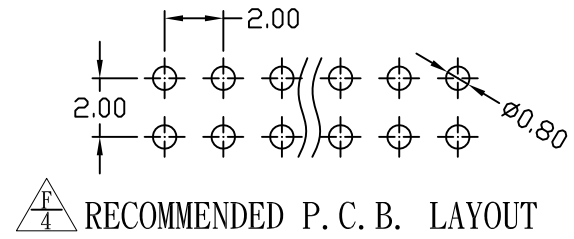
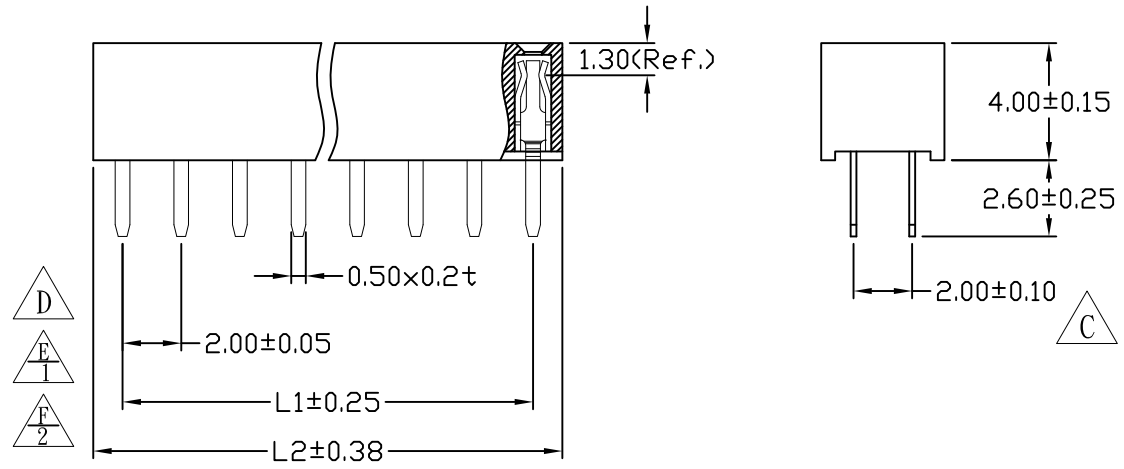
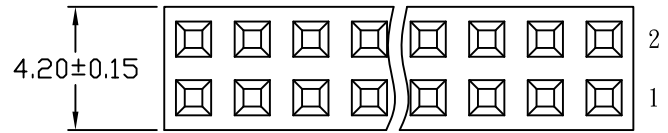
Contact Material:
Phosphor Bronze

Insulator Material:
Nylon-6(9)T
+Glass Fiber $\triangle \frac{F}{3}$
UL94V-0

Color:
Black

Contact Plated:
Gold Flash or Tin plated

Duplex plated:
Gold plated on contact area
Tin on solder area



Cir-cuits	Dimension mm	
	L1	L2
★ 2X2	2.00	4.02
★ 2X3	4.00	6.02
★ 2X4	6.00	8.02
★ 2X5	8.00	10.02
★ 2X6	10.00	12.04
★ 2X7	12.00	14.04
★ 2X8	14.00	16.04
★ 2X9	16.00	18.06
★ 2X10	18.00	20.06
★ 2X11	20.00	22.06
★ 2X12	22.00	24.06
★ 2X13	24.00	26.08
★ 2X14	26.00	28.08
★ 2X15	28.00	30.08
★ 2X16	30.00	32.10
★ 2X17	32.00	34.10
★ 2X18	34.00	36.10
★ 2X19	36.00	38.12
★ 2X20	38.00	40.12
2X21	40.00	42.12
★ 2X22	42.00	44.14
2X23	44.00	46.14
★ 2X24	46.00	48.14
★ 2X25	48.00	50.18
2X26	50.00	52.18
2X27	52.00	54.18
2X28	54.00	56.21
2X29	56.00	58.21
★ 2X30	58.00	60.21
2X31	60.00	62.21
★ 2X32	62.00	64.21
2X33	64.00	66.21
2X34	66.00	68.21
2X35	68.00	70.21
2X36	70.00	72.21
2X37	72.00	74.21
2X38	74.00	76.21
2X39	76.00	78.21
★ 2X40	78.00	80.21

RoHS Compliant

TOLERANCES ARE

MORETHANALL
PCB CONNECTORS
Cable ASSEMBLIES

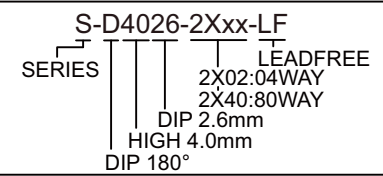
煜倫股份有限公司

www.morethanall.com

DRAWING BY CY		X, ± .X ± 0.38 .XX ± 0.25 .XXX ± ANG ± 3°
CHECKED BY GENIUS		
UNIT / mm	SCALE 1 : 1	
DATE		
SIZE A4	PPOJECTION \rightarrow	



ORDER INFORMATION



DESCRIPTION: 2.00 Female Header Straight Type