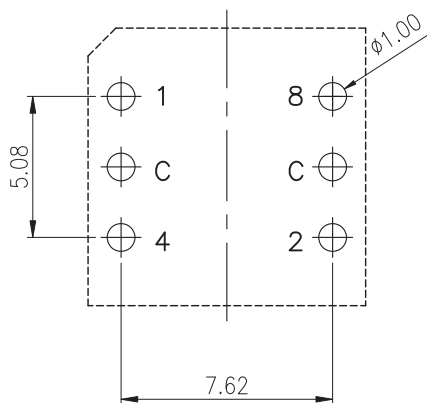
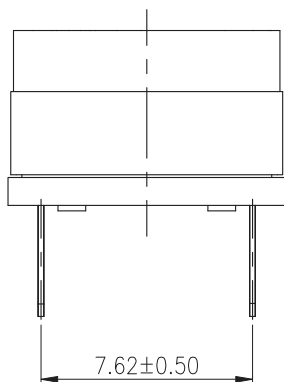
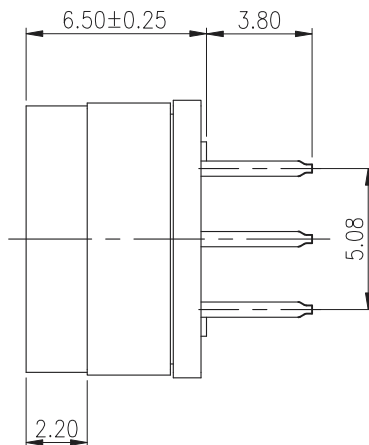


RTSW-D-16



P.C.B. LAYOUT

NOTE:

1.GENERAL TOLERANCES MAX.±0.20mm.

SPECIFICATIONS

1.RATING : NON SWITCHING RATING 24VDC 400mA  
SWITCHING RATING 24VDC 150mA

2.LIFF : 10,000 STEPS

3.OPERATING FORCE : 400gf·cm Max.

4.INITIAL CONTACT RESISTANCE : 100mOhm Max.

5.DIELECTRIC STRENGTH : AC 250V 1 MINUTE

6.INSULATION RESISTANCE : 100MOhm Min.  
(DC 250V MEGGER)

7.OPERATING TEMPERATURE : -60°C TO 125°C

TYPE	CIRCUIT CHARACTERISTICS																
	CODE	POSITION ●ON															
		0	1	2	3	4	5	6	7	8	9	A	B	C	D	E	F
RTSW-D-16	1		●		●		●		●		●		●		●		●
	2			●	●			●	●			●	●			●	●
	4					●	●	●	●				●	●	●	●	●
	8									●	●	●	●	●	●	●	●

**RoHS Compliant**

TOLERANCES ARE

**MORETHANALL**  
PCB CONNECTORS  
Cable ASSEMBLIES

DRAWING BY CY

X.±

CHECKED BY GENIUS

.X±

UNIT / mm

SCALE 1 : 1

.XX±

DATE

.XXX±

ANG±

SIZE A4

PJECTION

照片框

**ORDER INFORMATION**

RTSW-D-16-LF

SERIES | LEADFREE

16 WAY

DIP 180°

煜倫股份有限公司

www.morethanall.com

DESCRIPTION: ROTARY SWITCH