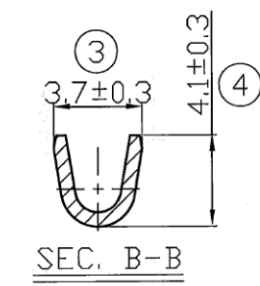
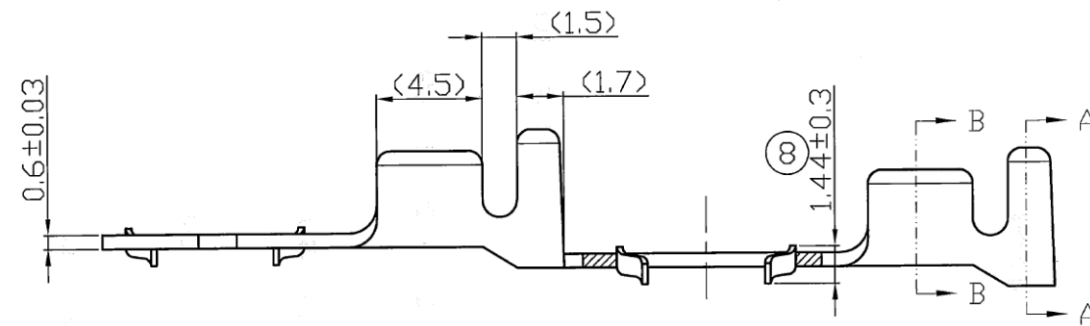


NOTES:  
 I. 包裝數量 : 5000 PCS/R  
 I. PACKING Q'TY : 5000 PCS/R



RTS-52T114-14	21.0	0.5~2.0	20~14	黃銅 BRASS	鍍錫 TIN PLATING	
PART NO. 編號	PITCH 間距	MM 線徑	AWG WIRE SIZE	MATERIAL 材質	FINISH 表面處理	REMARK 備註

RoHS Compliant

TOLERANCES ARE



DRAWING BY CY

X. ±

CHECKED BY GENIUS

.X ±

UNIT / mm

SCALE 1:1

.XXX ±

DATE

ANG ±

SIZE A4

PJECTION

照片框

ORDER INFORMATION

RTS-52T114-14-LF  
 SERIES | T | LEADFREE  
 | | | 14~20 AWG  
 | | | OUTER DIAMETER 11.4Ø  
 | | | TIN  
 | | | INSIDE DIAMETER 5.4Ø

煜倫股份有限公司

www.morethanall.com

DESCRIPTION: