

# MATERIAL

INSULATION: NYLON

MATERIAL: COPPER

TIN PLATING

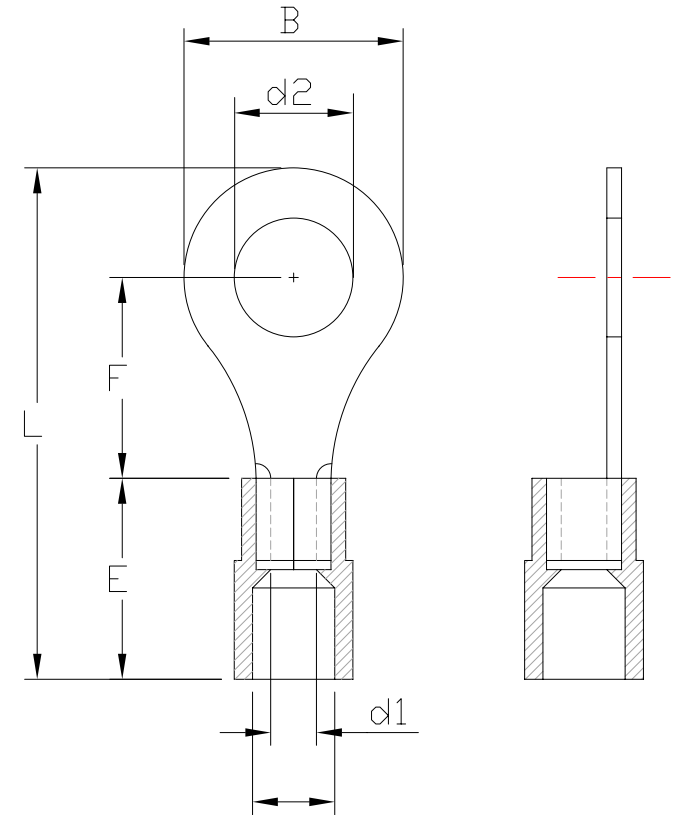
## MAXIMUM ELECTRIC CURRENT

A. W. G	12	10
MAX AMP	35	50

### NOTE:

1. MAXIMUM ELECTRICAL RATING: 105°C 600 VOLTS
2. WIRE RANGE: 12-10 AWG / 4-6 mm<sup>2</sup>  
INSULATED COLOR: YELLOW
3. MATERIAL THICKNESS: t  
TOLERANCE: ±0.05

WIRE RANGE AWG/mm <sup>2</sup>	產品編號 ITEM NO.	d2 ±0.20	B ±0.20	F ±0.30	L ±1.00	E ±0.60	D ±0.50	d1 ±0.20	t
12-10 AWG 4-6 mm <sup>2</sup>	RT-N32-10	3.2	7.2	5.9	22.5	13.0	6.5	3.4	1.0
	RT-N37S-10	3.7	7.2	5.9	22.5				
	RT-N37L-10	3.7	9.5	8.3	26.0				
	RT-N43S-10	4.3	7.2	5.9	22.5				
	RT-N43L-10	4.3	9.5	8.3	26.0				
	RT-N53-10	5.3	9.5	8.3	26.0				
	RT-N65-10	6.5	12.0	10.5	29.5				
	RT-N84-10	8.4	15.0	13.7	34.2				
	RT-N105-10	10.5	15.0	13.7	34.2				
RT-N130-10	13.0	19.2	16.0	38.6					



RoHS Compliant

TOLERANCES ARE

**MORETHANALL**  
PCB CONNECTORS  
Cable ASSEMBLIES

DRAWING BY CY

X. ±

CHECKED BY GENIUS

.X ±

UNIT / mm

SCALE 1:1

.XX ±

DATE

.XXX ±

ANG ±

SIZE A4

PJECTION



### ORDER INFORMATION

RT-Nxx-10-LF  
SERIES | T LEADFREE  
10-12 AWG  
32:3.2 d2  
130:13.0 d2  
NYLON

煜倫股份有限公司

www.morethanall.com

DESCRIPTION: