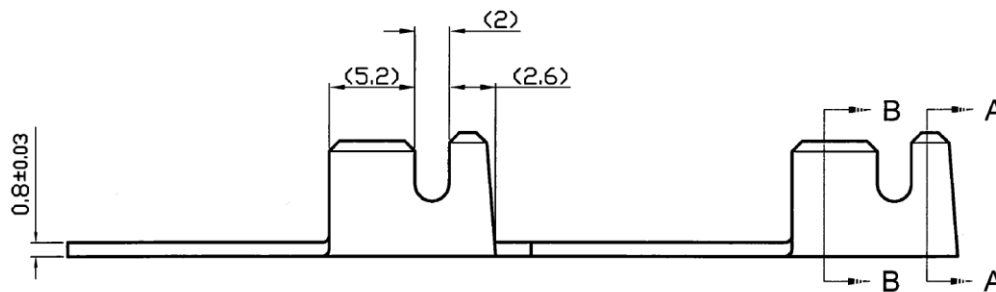
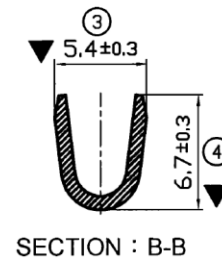
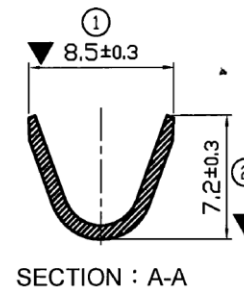
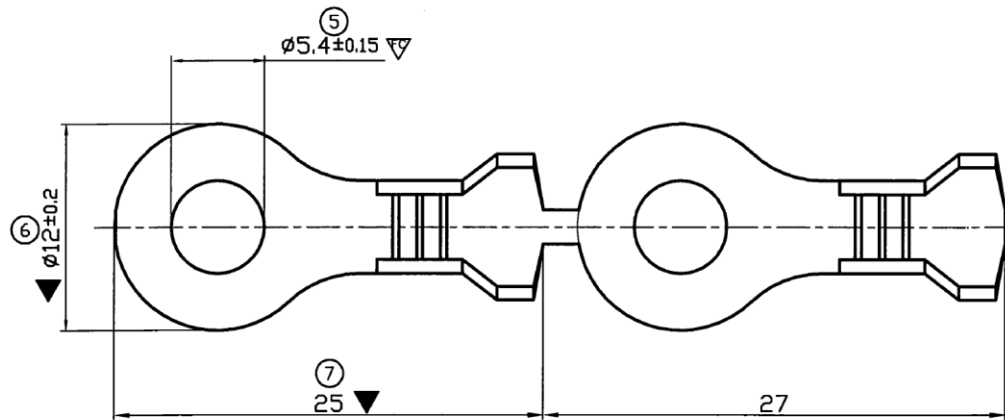


PART NO. 編號	PITCH 間距	MM 線徑	AWG WIRE SIZE	MATERIAL 材質	FINISH 表面處理	REMARK 備註
RT-54T120-10	27	3.5~5.5	12~10	黃銅 BRASS	鍍錫 TIN PLATING	

NOTES:

1.包裝數量：2500 PCS/R

1.PACKING Q'TY : 2500 PCS/R



RoHS Compliant

TOLERANCES ARE

MORETHANALL
PCB CONNECTORS
Cable ASSEMBLIES

DRAWING BY CY

X. ±

CHECKED BY GENIUS

.X ±

UNIT / mm

SCALE 1 : 1

.XXX ±

DATE

ANG ±

SIZE A4

PJECTION

照片框

ORDER INFORMATION

RT-54T120-10-LF
 SERIES | LEADFREE
 | 10~12 AWG
 | OUTER DIAMETER 12.00
 | TIN
 | INSIDE DIAMETER 5.40

煜倫股份有限公司

www.morethanall.com

DESCRIPTION: