

1、All dimensions in mm [Inch]

2、General tolerance : $>10\pm 0.4$
 $<10\pm 0.25$

3、Electrical rating : 6A 250V & 12A 125VAC [UL]

4、Contact resistance : $<20\text{m}\Omega$ (initial)

5、Insulation resistance : $>1000\text{M}\Omega$ (500VDC between open contacts)

6、Dielectric strength : $>1500\text{V}$ 1 minute

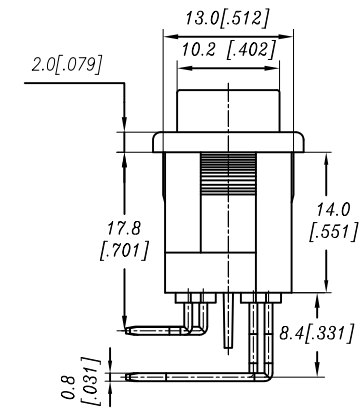
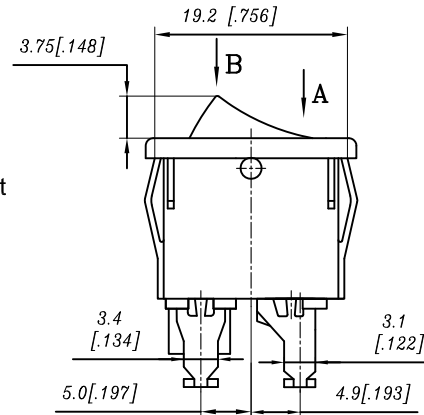
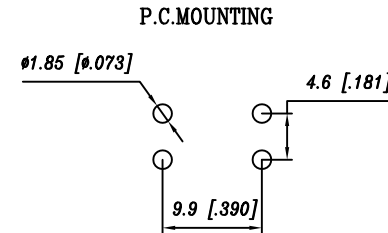
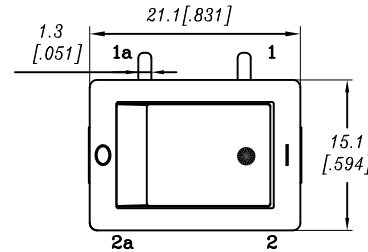
7、Mechanical life : >30000 cycles

8、Electrical life : >10000 cycles

9、Temperature rise at the terminal : Max.30°C

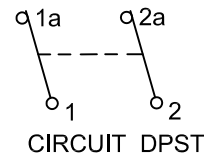
10、Solder ability of terminal : Max350°C,3S(no pressure may be placed in the terminals when soldering by hand)

11、Any Cd Pb Hg etc and it's compounds is not include in this product

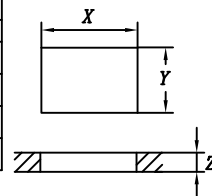


Color	Housing	Actuator
K(Black)	#	#
W(White)		
R(Red)		
G(Gray)		
O(Orange)		
B(Blue)		
Y(III. Yellow)		
M(III. Green)		
F(III. Blue)		
T(III. White)		
D(III. Red)		

POLE FUNCTION	OPTIONS OF FUNCTION		
	A	—	B
DPST	1-1a 2-2a	—	OFF



PANEL CUT-OUT		
Z	Y	X
0.7~1.25 [.028~.049]	12.90~13.10 [.508~.515]	19.1~19.2 [.752~.756]
1.25~2.0 [.049~.079]	12.90~13.10 [.508~.515]	19.3~19.4 [.760~.764]
2.0~3.0 [.079~.118]	12.90~13.10 [.508~.515]	19.4~19.6 [.764~.772]
3.0~4.0 [.118~.157]	12.90~13.10 [.508~.515]	19.6~19.8 [.772~.780]



●	—	I	I		I	—	△	ON
	○	○	II		○	○	○	OFF
A	B	C	D	E	F	G	H	I
#								

* We keep the right to alter the dimension without notice.

RoHS Compliant

TOLERANCES ARE

MORETHANALL
 PCB CONNECTORS
 Cable ASSEMBLIES

DRAWING BY CY

X, ±

CHECKED BY GENIUS

.X ±

UNIT / mm

SCALE 1 : 1

.XX ±

DATE

.XXX ±

ANG ±

SIZE A4

P PROJECTION

照片框

ORDER INFORMATION

RSW-RPA-04-LF

SERIES

LEADFREE

4 WAY

PANEL FRONT

DIP 90°

煜倫股份有限公司

www.morethanall.com

DESCRIPTION: