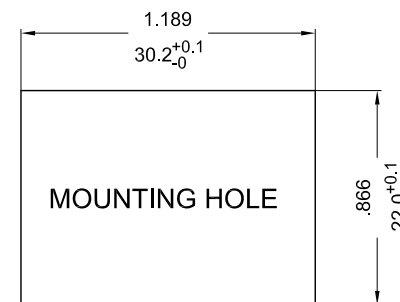
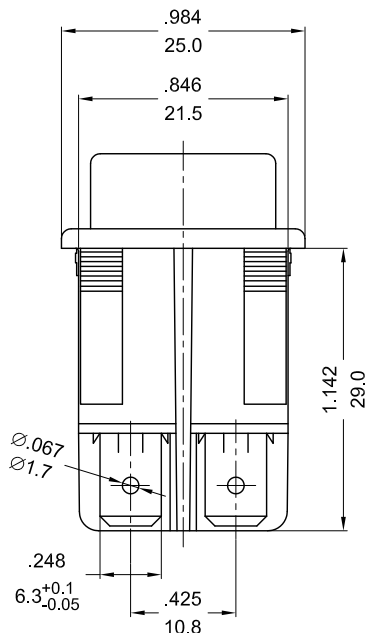
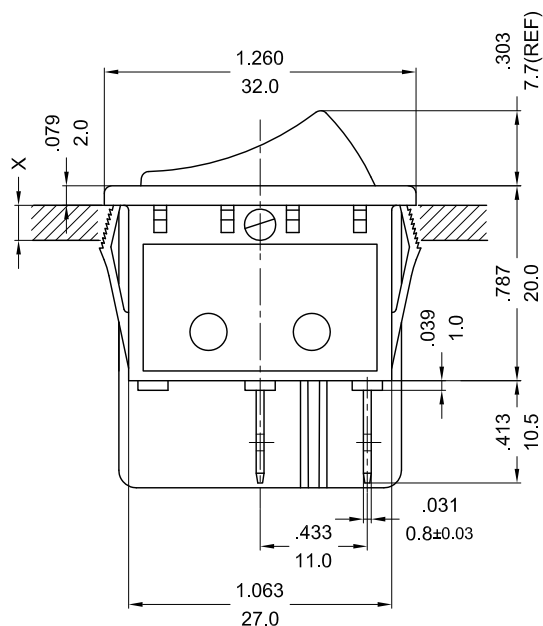


**ROCKER SWITCH MODEL: R SERIES**  
 RATING: 16A 125/250VAC (UL/CUL)  
 20A 125VAC (UL/CUL)  
 16(4)A 250V~T125/55 (VDE/ENEC10/CQC)  
 DIELECTRIC WITHSTAND VOLTAGE: 1000VAC 1 MIN  
 INSULATION RESISTANCE: 500VDC 100MΩ (MIN)  
 CONTACT RESISTANCE: 20mΩ INITIAL (MAX.)  
 ILLUMINATION: 100~125VAC



X=(0.75~2.0mm)  
 PANEL THICKNESS

NOTE: TOLERANCES UNLESS OTHERWISE SPECIFIED: ± .012/0.3 (in/mm)

RoHS Compliant

TOLERANCES ARE

**MORETHANALL**  
 PCB CONNECTORS  
 Cable ASSEMBLIES

煜倫股份有限公司

www.morethanall.com

DRAWING BY CY

CHECKED BY GENIUS

UNIT / mm SCALE 1 : 1

DATE

SIZE A4

X, ±

.X ±

.XX ±

.XXX ±

ANG ±

PPOJECTION

照片框

ORDER INFORMATION

RSW-Q6PARD-0604-LF  
 SERIES | | | LEADFREE  
 | | | 6P4C  
 | | | RED  
 | | | PANEL FRONT  
 | | | TAB 6.3mm

DESCRIPTION: R SPEC DRAWING