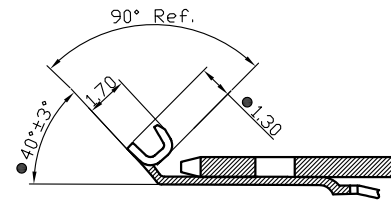
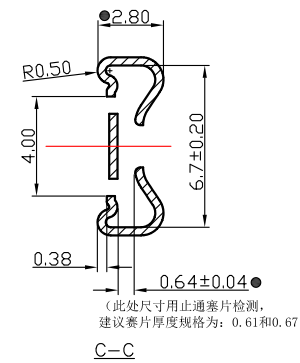
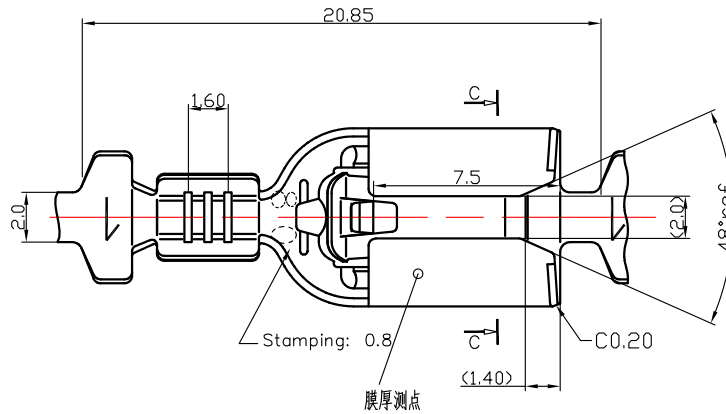


Note:

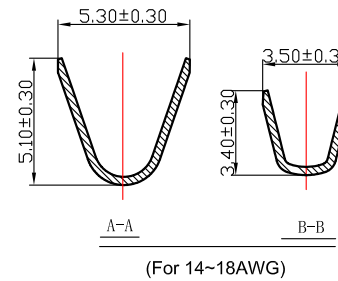
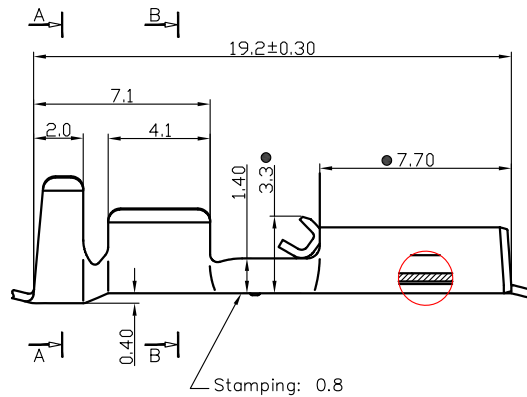
1. 材质: 铜合金 材料厚度: $0.35 \pm 0.01\text{mm}$
- 2. 铜合金材质的未电镀产品插拔力要求:
插入力: $0.7 \sim 1.5\text{kgf}$, 拔出力: $0.4 \sim 1.2\text{kgf}$ (使用 0.80mm 厚度钢片测试).
3. Inspection Symbol: ● Q.C. Inspection



- 4. 公端子插入后舌片应紧贴公端子。



1. Plating:
T=Tin plated 120u"
2. Material:
Phosphor bronze C5191



RoHS Compliant

TOLERANCES ARE

MORETHANALL
PCB CONNECTORS
Cable ASSEMBLIES
煜倫股份有限公司
www.morethanall.com

DRAWING BY CY

CHECKED BY GENIUS

UNIT / mm SCALE 1 : 1

DATE

SIZE A4

X. ± 0.30

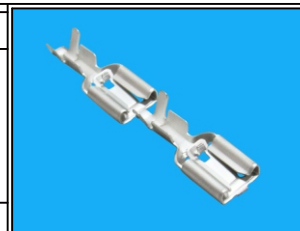
.X ± 0.20

.XX ± 0.10

.XXX ± 0.05

ANG ±

PPOJECTION



ORDER INFORMATION

RST50-FT-14-LF
SERIES | LEADFREE
14~18 AWG
TERMINAL
FEMALE

DESCRIPTION: