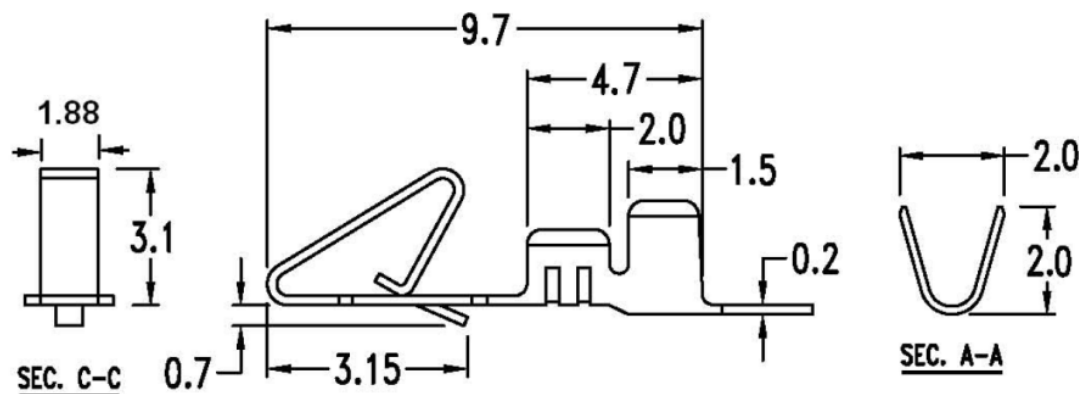
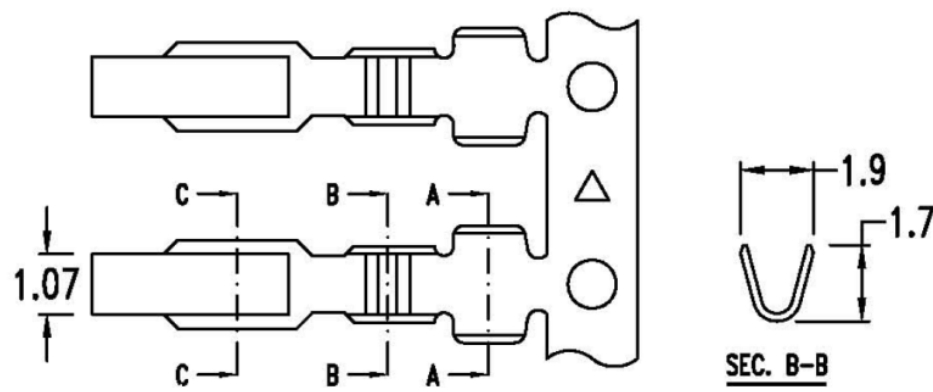


Features:

- Material: Brass
- Tin-plated (Lead free)
- Wire range: AWG #22 ~ #26

Specification:

- Current rating: 3A
- Voltage rating: 250V AC, DC Max.
- Contact resistance: 20mΩ Max.
- Engagement force: 500g Max. with tin-plated .025"(0.64mm) square pin
- Disengagement Force: 87g Min. for first cycle with tin-plated .025"(0.64mm) square pin
- Terminal retention force: 1.5Kg Min.
- Crimp strength: #22 4.0 Kg Min.
#24 3.0 Kg Min.
#26 2.0 Kg Min.
- Ambient temperature range: -40°C ~ 105°C



RoHS Compliant

TOLERANCES ARE

MORETHANALL
PCB CONNECTORS
Cable ASSEMBLIES

DRAWING BY CY

CHECKED BY GENIUS

UNIT / mm SCALE 1 : 1

DATE

SIZE A4

PJECTION

X, ±
.X ± 0.40
.XX ± 0.25
.XXX ± 0.08
ANG ±

照片框

ORDER INFORMATION

RK-T-22-LF
SERIES | LEADFREE
22-26 AWG
TERMINAL

煜倫股份有限公司

www.morethanall.com

DESCRIPTION: