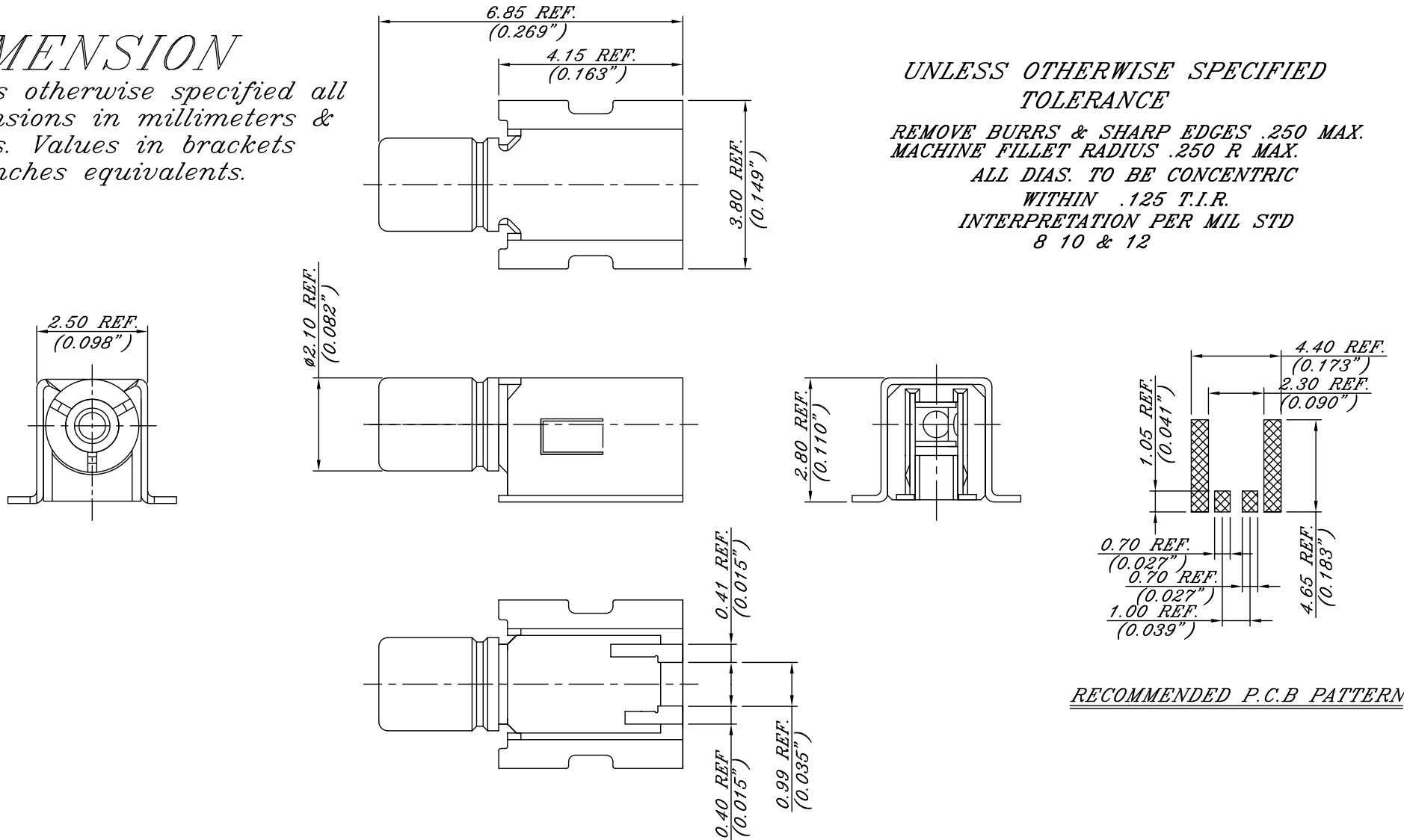


1. DIMENSION

Unless otherwise specified all Dimensions in millimeters & inches. Values in brackets are inches equivalents.



UNLESS OTHERWISE SPECIFIED
TOLERANCE
REMOVE BURRS & SHARP EDGES .250 MAX.
MACHINE FILLET RADIUS .250 R MAX.
ALL DIAS. TO BE CONCENTRIC
WITHIN .125 T.I.R.
INTERPRETATION PER MIL STD
8 10 & 12

RECOMMENDED P.C.B PATTERN

RoHS Compliant

TOLERANCES ARE

MORETHANALL
PCB CONNECTORS
Cable ASSEMBLIES

DRAWING BY CY
CHECKED BY GENIUS
UNIT / mm SCALE 1:1
DATE

X. ±
.X ±
.XX ±
.XXX ±
ANG ±

照片框

ORDER INFORMATION

RFT-JWR-50-LF
SERIES | | | LEADFREE
| | | 50 OHM
| | | REEL
| | | 90°SMT
| | | JACK

煜倫股份有限公司

www.morethanall.com

SIZE A4 PROJECTION

DESCRIPTION: MICROWAVE R/A SWITCH CONNECTOR

2. PART LIST

<i>NO</i>	<i>DESCRIPTION</i>	<i>MATERIAL & TERATMENT</i>	<i>REMARK</i>
1	INSULATOR	LCP	
2	RETENTION CONTACT	PHORSPHOUS BRONZE WITH GOLD PLATING	
3	SHELL	PHORSPHOUS BRONZE WITH GOLD PLATING	
4	SPRING CONTACT	PHORSPHOUS BRONZE WITH GOLD PLATING	

RoHS Compliant

TOLERANCES ARE

MORETHANALL
PCB CONNECTORS
Cable ASSEMBLIES

煜倫股份有限公司

www.morethanall.com

DRAWING BY CY

CHECKED BY GENIUS

UNIT / mm

SCALE 1:1

DATE

SIZE A4

X. ±
.X ±
.XX ±
.XXX ±
ANG ±

PJECTION 

照片框

ORDER INFORMATION

RFT-JWR-50-LF
SERIES | | | LEADFREE
| | | 50 OHM
| REEL
| 90°SMT
| JACK

DESCRIPTION: MICROWAVE R/A SWITCH CONNECTOR

3. CHARACTER

SPECIFICATIONS:

MECHANICAL CHARACTERISTICS:
MATING/UNMATING--100 CYCLES

ELECTRICAL CHARACTERISTICS:
IMPEDANCE-- 50 OHMS

FREQUENCY RANGE-- 0~6 GHz (VSWR-- 1.3 MAX.)

OPERATING VOLTAGE-- AC 100V / DC 100V

CONTACT RESISTANCE--100 MILLIOHMS MAX.

DIELECTRIC WITHSTANDING VOLTAGE-- 150 VAC FOR 1 min. CURRENT LEAKAGE 1mA MAX.

INSULATION RESISTANCE-- 1000 MEGOHMS MIN.

ENVIROMENTAL CHARACTERISTICS:

TEMPERATURE RANGE-- -25°C TO 85°C

RoHS Compliant

TOLERANCES ARE

MORETHANALL
PCB CONNECTORS
Cable ASSEMBLIES
煜倫股份有限公司

DRAWING BY CY

X.±

CHECKED BY GENIUS

.X±

UNIT / mm

SCALE 1:1

.XX±

DATE

.XXX±

ANG±

www.morethanall.com

SIZE A4

PJECTION 

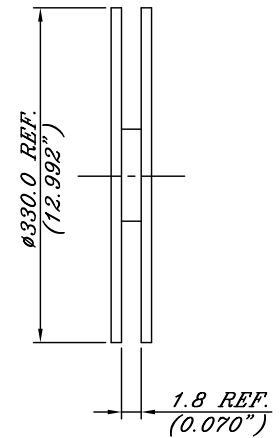
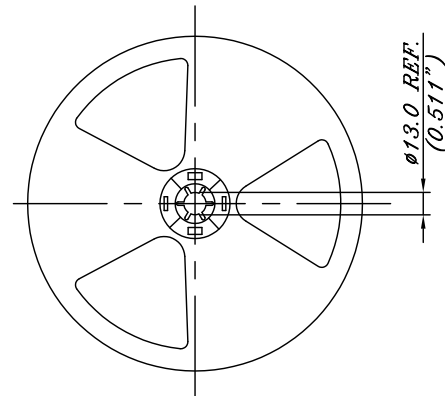
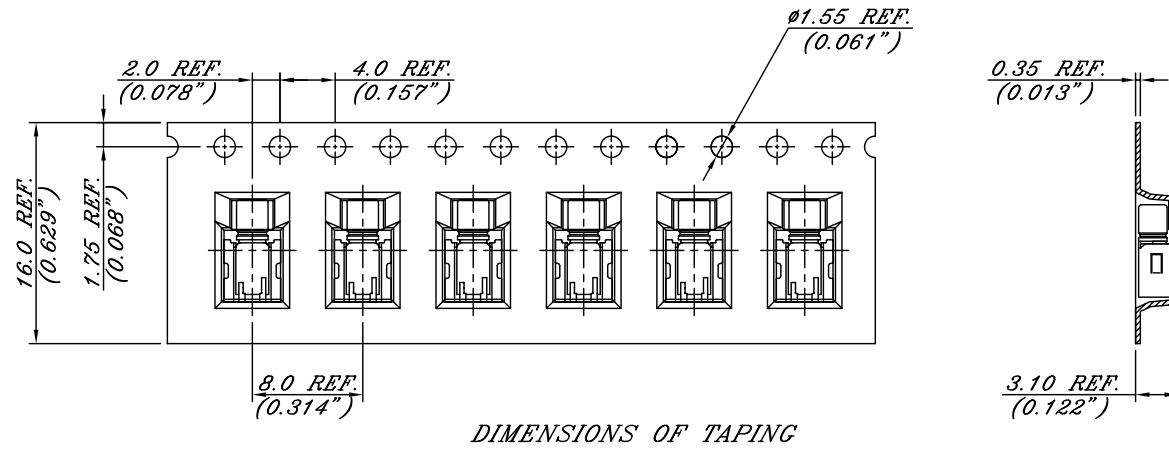
照片框

ORDER INFORMATION

RFT-JWR-50-LF
SERIES | | | LEADFREE
| | | 50 OHM
| REEL
| 90°SMT
| JACK

DESCRIPTION: MICROWAVE R/A SWITCH CONNECTOR

4. TAPE & REEL SPECIFICATIONS



RoHS Compliant

TOLERANCES ARE

MORETHANALL
PCB CONNECTORS
Cable ASSEMBLIES

DRAWING BY CY

X. ±

CHECKED BY GENIUS

.X ±

UNIT / mm

SCALE 1 : 1

.XX ±

DATE

.XXX ±

ANG ±

煜倫股份有限公司

www.morethanall.com

SIZE A4

PJECTION

照片框

ORDER INFORMATION

RFT-JWR-50-LF
SERIES | | | LEADFREE
| | | 50 OHM
| | | REEL
| | | 90°SMT
| | | JACK

DESCRIPTION: MICROWAVE R/A SWITCH CONNECTOR