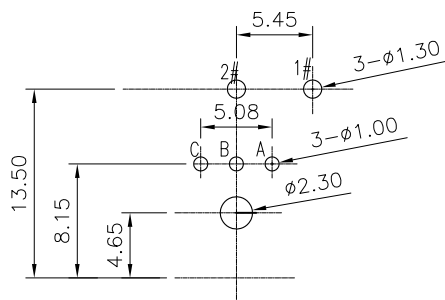


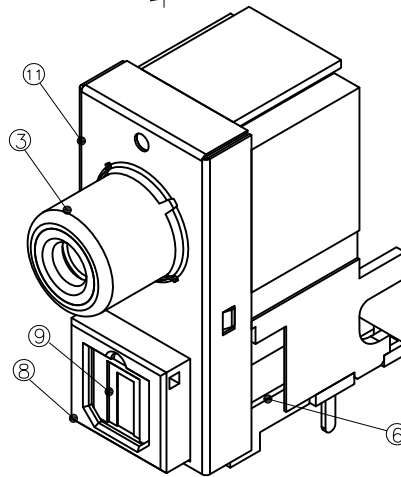
XX	OPTO GATE COLOR	WASHER COLOR	PLATED
01	LIME(577C)	ORANGE(157C)	MATTED TIN
02	LIME(577C)	BLACK	MATTED TIN
03	LIME(577C)	YELLOW	MATTED TIN
04	BLACK	YELLOW	MATTED TIN
05	BLACK	ORANGE(157C)	MATTED TIN
06	LIME(577C)	RED	MATTED TIN

LEAD FREE

NO	DESCRIPTION	QUANTITY	MATERIAL	REMARK
12	WASHERS	1	PBT	UL-94V0
11	SEALED PLATE	1	BRASS	NI PLATED
10	OPTO SPRING	1	SUS	
9	OPTO GATE	1	PA66	UL-94V0
8	OPTO FRAME	1	PA66	UL-94V0(BLACK)
7	OPTO-TERMINAL	3	PHOSPHOR BRONZE	TIN PLATED
6	OPTO-HOSING	1	LCP	UL-94V0(BLACK)
5	2# TERMINAL	1	BRASS	MATTED TIN PLATED
4	1# TERMINAL	1	BRASS	MATTED TIN PLATED
3	OUTER CONTACT	1	BRASS	MB: Cu/Sn PLATED
2	COVER	1	PA9T	UL-94V0(BLACK)
1	HOUSING	1	PBT	UL-94V0(BLACK)



T:1.6 Dimensions of PC board holes
Tolerance : ±0.05(Printed-top view)



RoHS Compliant

TOLERANCES ARE

MORETHANALL
PCB CONNECTORS
Cable ASSEMBLIES

DRAWING BY CY
CHECKED BY GENIUS
UNIT / mm SCALE 1 : 1
DATE

X, ±
.X ±
.XX ±
.XXX ±
ANG ±

煜倫股份有限公司

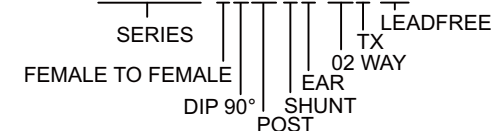
www.morethanall.com

SIZE A4 PPROJECTION



ORDER INFORMATION

RCAPOF-FRP1SE-02T-LF



DESCRIPTION: