

NO.	NAME	MATERIAL	FINISH	Q'TY
1	BARREL	BRASS T:0.4	GOLD PLATED	1
2	SPRING TERMINAL	PHOS. BRONZE T:0.30	GOLD PLATED	1
3	TERMINAL	BRASS T:0.4	GOLD PLATED	1
4	HOUSING	PBT G.F.	WHITE	1

Specification:

Contact Resistance: 30m Ohm Max. At AC 100mA Max.1KHz.

Insulation Resistance: 100M Ohm Min. At 500V DC.

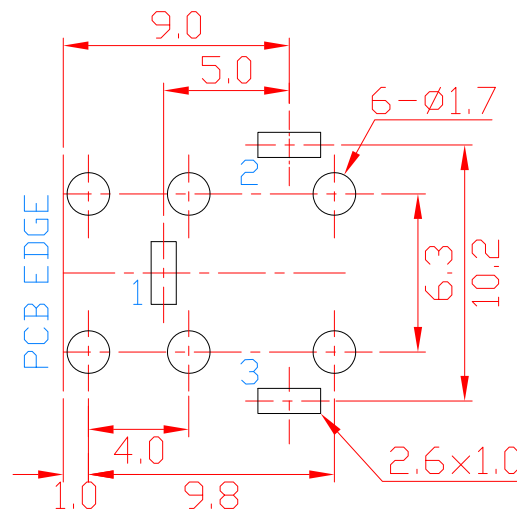
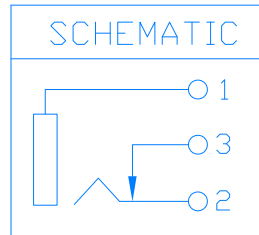
Rated Voltage And Current: DC 12V,2A Max.

Dielectric Withstanding Voltage: 500VAC At 60Hz For 1 Minute.

Durability (Life Test): 4000 Cycles.

Insertion Force: 0.3~3.0 Kg.

Extraction Force: 0.3~3.0 Kg.



PCB LAYOUT  
(BOTTOM VIEW)

RoHS Compliant

TOLERANCES ARE

**MORETHANALL**  
PCB CONNECTORS  
Cable ASSEMBLIES

DRAWING BY CY

X. ± 0.38

CHECKED BY GENIUS

.X ± 0.25

UNIT / mm

SCALE 1 : 1

.XX ± 0.13

.XXX ± 0.05

DATE

ANG ±

SIZE A4

PJECTION

照片框

ORDER INFORMATION

RCA-JR45P6WHG01-03-LF

SERIES JACK  
DIP 90°  
POST x 6  
4.0+5.0mm  
WHITE  
GOLD  
LEADFREE  
03 WAY

煜倫股份有限公司

www.morethanall.com

DESCRIPTION: RCA JACK