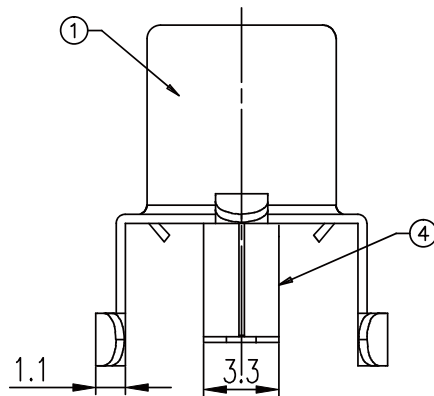


T:1.6 Dimensions of PC board holes
Tolerance : ±0.05(Printed-bottom view)



COLOR	PART NO.
ORANGE	
SCHEMATIC	

LTR	PART NAME	QTY	MATERIAL	REMARK
4	CONTACT	1	C2680 t=0.3	Cu/Sn PLATED
3	INSULATOR	1	PBT 4815	UL-94V0(BLACK)
2	WASHER	1	PBT 4815	UL-94V0(ORANGE)
1	SHIELD	1	C2680 t=0.4	Cu/Sn PLATED

UNLESS OTHERWISE SPECIFIED, TOLERANCE ON DECIMAL: ±0.3

RoHS Compliant

TOLERANCES ARE

MORETHANALL
PCB CONNECTORS
Cable ASSEMBLIES

DRAWING BY CY

X. ±

CHECKED BY GENIUS

.X ±

UNIT / mm

SCALE 1 : 1

.XX ±

DATE

.XXX ±

ANG ±

SIZE A4

P PROJECTION

照片框

ORDER INFORMATION

RCA-JR05OR-02-LF
SERIES | | | | LEADFREE
| | | | 02WAY
| | | | ORANGE
| | | | FOOTPRINT 0+5mm
DIP 90°
JACK

煜倫股份有限公司

www.morethanall.com

DESCRIPTION: PIN JACK