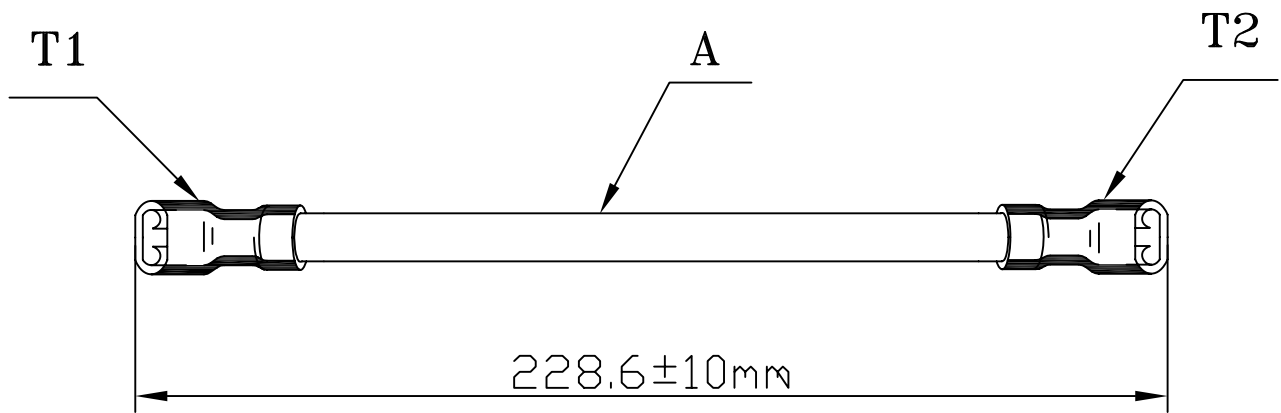


1 2 3 4 5 6 7 8 9 0

J
I
H
G
F
E
D
C
B
A



A	UL1015 #16 RED
T1	Q250-FT8NFD-14
T2	Q250-FT8NFD-14

MORETHANALL
CONNECTORS
ASSEMBLIES

PART NO. QTX2-6868V16RD-F9N

RoHS Compliant

DWG NO. QTX2-6868V16RD-F9N

CHECKED BY CY

TOLERANCES ARE

DESCRIPTION:

FILE NO.

DRAWING BY

.X ± 0.2
.XX ±
.XXX ±
AWG

AREA	REVISIONS	HK	DATE	2010.3.1
------	-----------	----	------	-----------------

煜倫股份有限公司

UNIT / mm

SCALE 1:1

PROJECTION