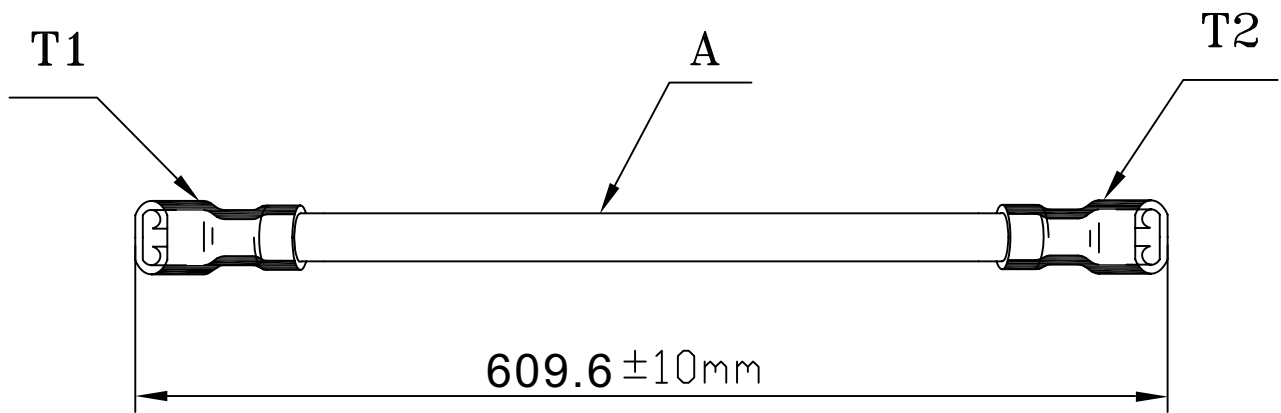


1 2 3 4 5 6 7 8 9 0

J
I
H
G
F
E
D
C
B
A

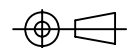


A	UL1015 #16 BLACK
T1	Q250-FT8NFD-14
T2	Q250-FT8NFD-14

MORETHANALL
CONNECTORS
ASSEMBLIES

PART NO. QTX2-6868V16BK-F24N
DWG NO. QTX2-6868V16BK-F24N
FILE NO.
UNIT / mm SCALE 1:1

RoHS Compliant

CHECKED BY CY
DRAWING BY
PROJECTION 

TOLERANCES ARE
.X ± 0.2
.XX ±
.XXX ±
AWG

DESCRIPTION:				
AREA	REVISIONS	HK	DATE	2010.3.1

煜倫股份有限公司