

1. P1,P2 :110 ×.020(2.8 × 0.5) CRIMP FEMALE TERMINAL TIN PLATED
2. WIRE IS UL(1007) 24 AWG 80°C 300V PVC JACKET COLOR=WHITE

RoHS Compliant

TOLERANCES ARE

**MORETHANALL**  
PCB CONNECTORS  
Cable ASSEMBLIES

煜倫股份有限公司

www.morethanall.com

DRAWING BY CY

CHECKED BY GENIUS

UNIT / mm

SCALE 1 : 1

DATE

SIZE A4

X, ±  
.X ±  
.XX ±  
.XXX ±  
ANG ±

P PROJECTION 

照片框

ORDER INFORMATION

QTX2-252524-F8C5-LF

SERIES

LEADFREE

85mm

FEMALE TO FEMALE

24 AWG

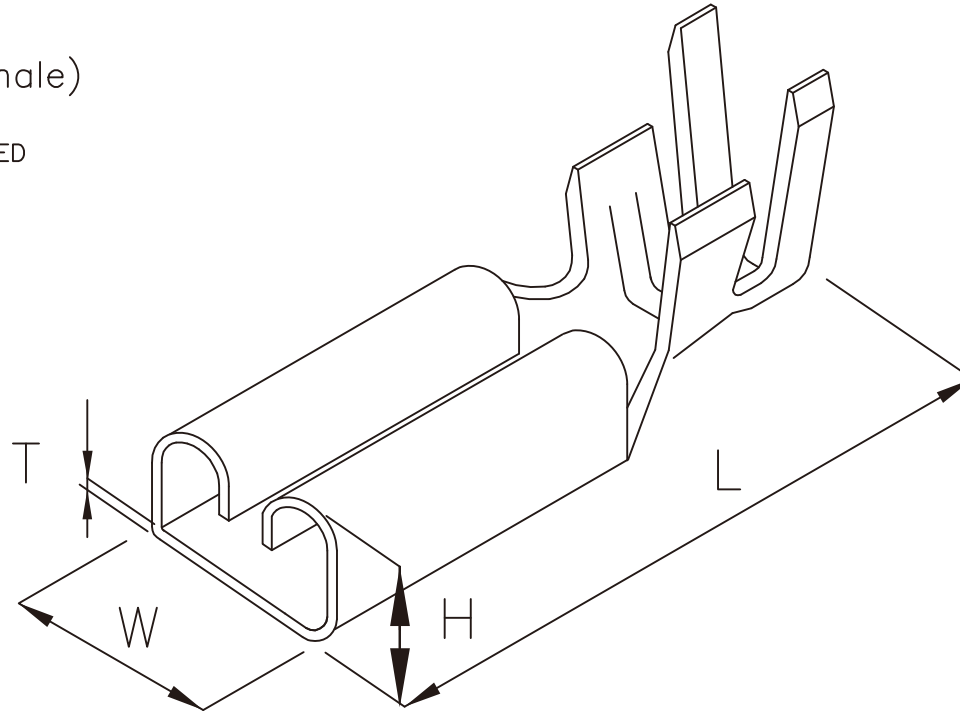
2.8x0.5 TO 2.8x0.5

DESCRIPTION: WIRE HARNESS

# 110 TERMINAL(Female)

Features:

\* MAT'L: BRASS TIN PLATED



PART/NO.	THICKNESS	W	L	H	WIRE RANGE	MAT'L	TAB (TXB)
Q110-FT5-18	0.25	3.8	15.5	1.90	AWG#18-22	BRASS TIN PLATED	2.8 X 0.5