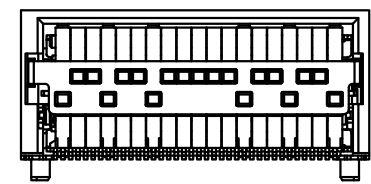
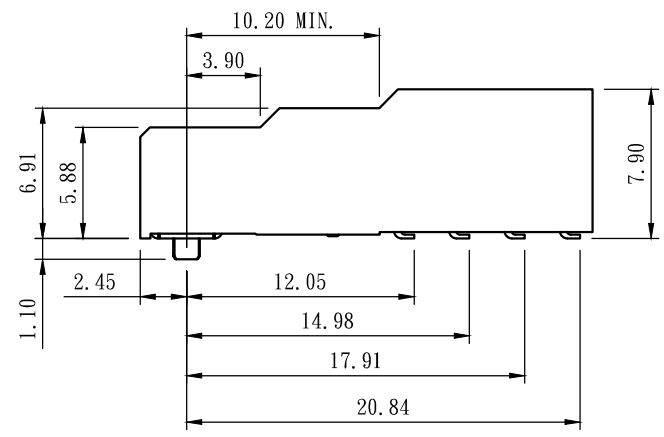
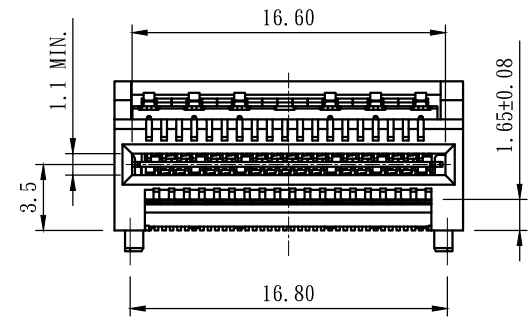
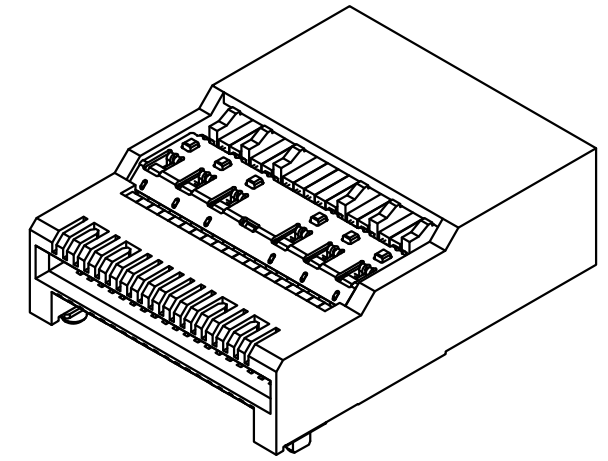


NOTES:  
 1. MATERIALS:  
 HOUSING: HIGH PERFORMANCE THERMOPLASTIC, 94V-0.  
 CONTACT: COPPER ALLOY.  
 SOLDER WASHERS: COPPER ALLOY.  
 2. FINISH:  
 SOLDER WASHERS: NICKEL SILVER  
 CONTACT: 0.76um GOLD ON MATING END, 2.54um  
 MATTE TIN ON SOLDER TAIL, ALL OVER NICKEL



RoHS Compliant

TOLERANCES ARE



DRAWING BY CY

CHECKED BY GENIUS

UNIT / mm

SCALE 1 : 1

DATE

SIZE A4

X, ±  
 X ± 0.25  
 .XX ± 0.15  
 .XXX ± 0.05  
 ANG ±

PJECTION

煜倫股份有限公司

www.morethanall.com

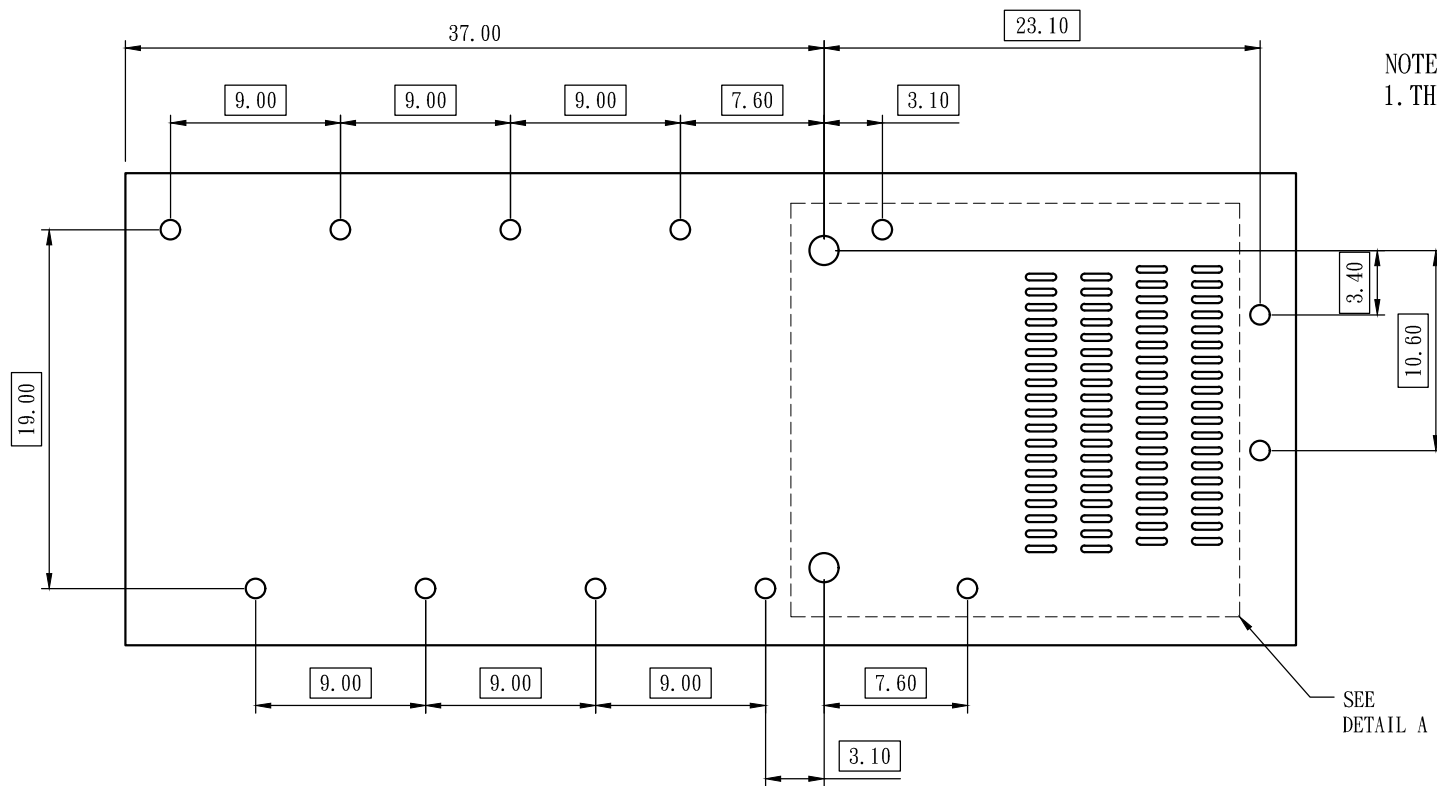
照片框

ORDER INFORMATION

QSFPD-SWP-76-LF

SERIES | | | LEADFREE  
 | | | 76 WAY  
 | | | POST  
 | | | 90°SMT  
 | | | FEMALE

DESCRIPTION:



NOTE:  
1. THE PC BOARD THICKNESS:1.6mm min.

RECOMENDED PCB LAOUT (COMPONENT SIDE)  
PCB TOLERANCE  $\pm 0.05$

**RoHS Compliant**

TOLERANCES ARE

**MORETHANALL**  
PCB CONNECTORS  
Cable ASSEMBLIES

DRAWING BY CY

CHECKED BY GENIUS

UNIT / mm

SCALE 1 : 1

DATE

SIZE A4

X,  $\pm$   
.X  $\pm$  0.25  
.XX  $\pm$  0.15  
.XXX  $\pm$  0.05  
ANG  $\pm$

PPOJECTION

照片框

ORDER INFORMATION

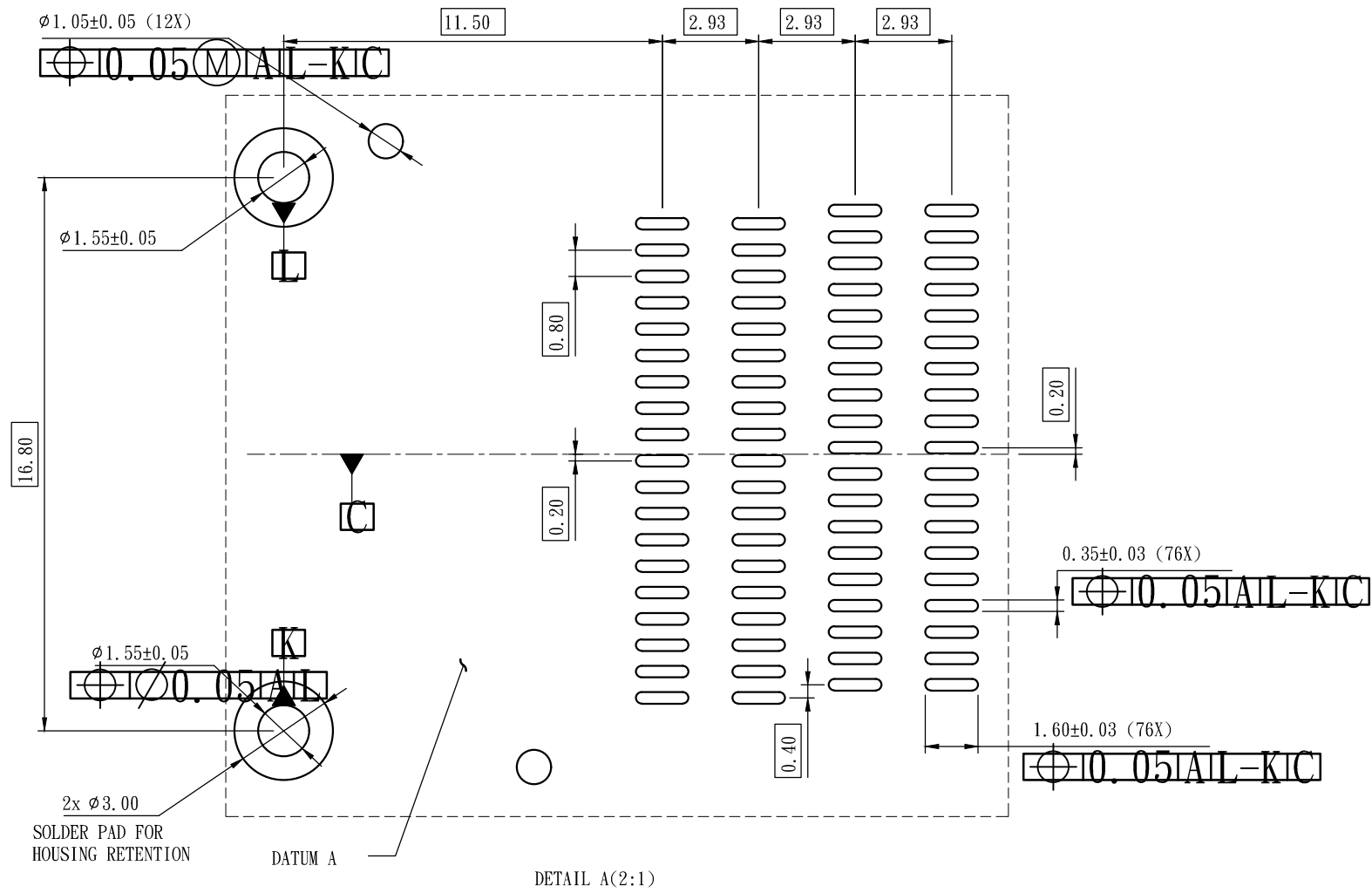
QSFPD-SWP-76-LF

SERIES LEADFREE  
 76 WAY  
90°SMT  
FEMALE

煜倫股份有限公司

www.morethanall.com

DESCRIPTION:



RoHS Compliant

TOLERANCES ARE

**MORETHANALL**  
PCB CONNECTORS  
Cable ASSEMBLIES

DRAWING BY CY

X. ±  
.X ± 0.25  
.XX ± 0.15  
.XXX ± 0.05  
ANG ±

CHECKED BY GENIUS

UNIT / mm SCALE 1 : 1

DATE

SIZE A4

P PROJECTION

照片框

ORDER INFORMATION

QSFPD-SWP-76-LF

SERIES | | | | LEADFREE  
| | | | 76 WAY  
| | | | POST  
| | | | 90°SMT  
| | | | FEMALE

煜倫股份有限公司

www.morethanall.com

DESCRIPTION: