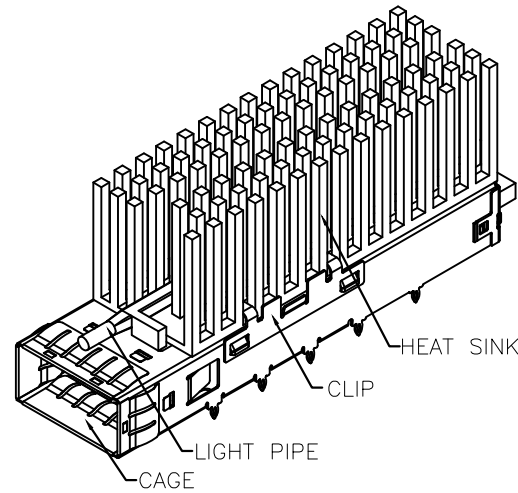


(插入光纖插頭後
頂高1.00mm MAX)



- NOTES:
 1.CAGE: COPPER ALLOY
 2.HEAT SINK: ALUMINUM
 3.CLIP: STAINLESS STEEL.
 4.LIGHT PIPE: POLYCARBONATE COLOR CLEAR

RoHS Compliant

TOLERANCES ARE

MORETHANALL
 PCB CONNECTORS
 Cable ASSEMBLIES
 煜倫股份有限公司
 www.morethanall.com

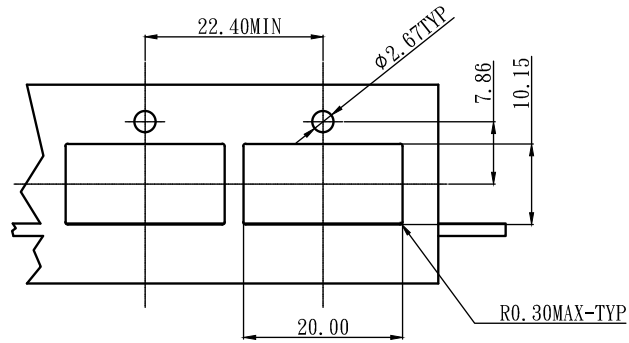
DRAWING BY CY		X. ± .X ± 0.25 .XX ± 0.15 .XXX ± 0.05 ANG ±
CHECKED BY GENIUS		
UNIT / mm	SCALE 1 : 1	
DATE		
SIZE A4	PJECTION	



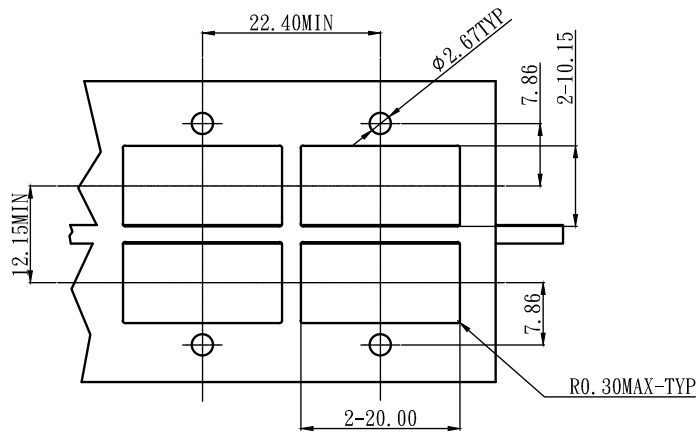
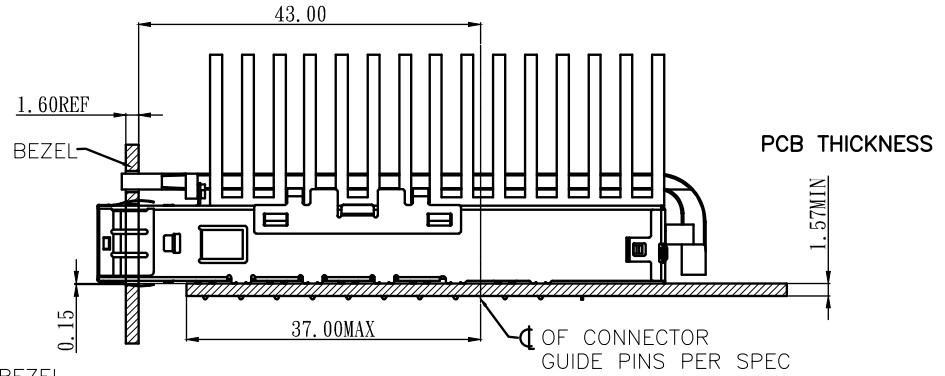
ORDER INFORMATION

QSFPD-SCQLP1HS28-76-LF
 SERIES | | | | | LEADFREE
 | | | | | 76 WAY
 | | | | | 28.75mm HIGH
 | | | | | WITH HEAT SINK WITHOUT LIGHT PIPE
 FEMALE CAGE | LIGHT PIPE
 DIP 90° PRESS FIT

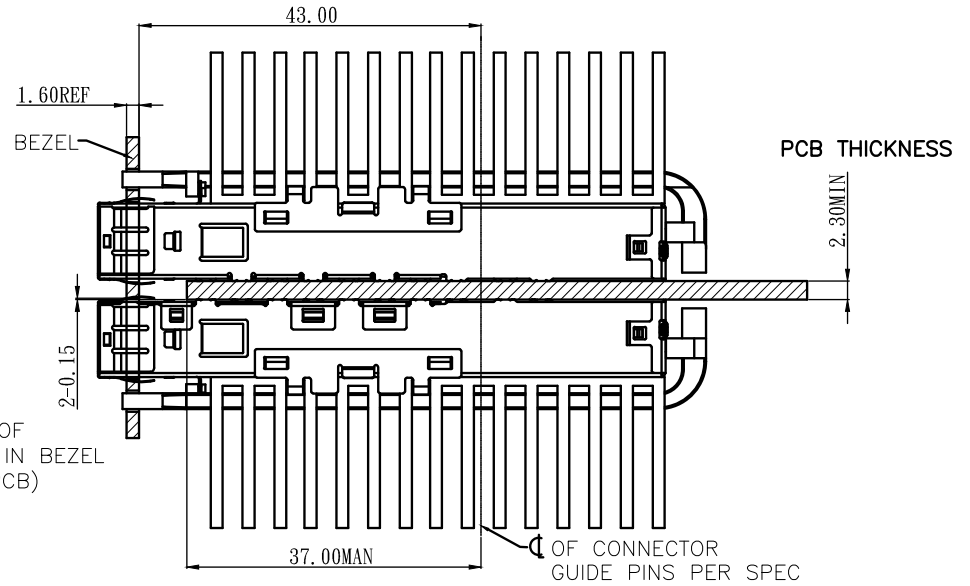
DESCRIPTION:



(BOTTOM OF CUT-OUT IN BEZEL TO TOP PCB)



(BOTTOM OF CUT-OUT IN BEZEL TO TOP PCB)



MORETHANALL
PCB CONNECTORS
Cable ASSEMBLIES

煜倫股份有限公司

www.morethanall.com

RoHS Compliant

DRAWING BY CY

CHECKED BY GENIUS

UNIT / mm

SCALE 1 : 1

DATE

SIZE A4

TOLERANCES ARE

X, ±
X, ± 0.25
.XX, ± 0.15
.XXX, ± 0.05
ANG ±

P PROJECTION

照片框

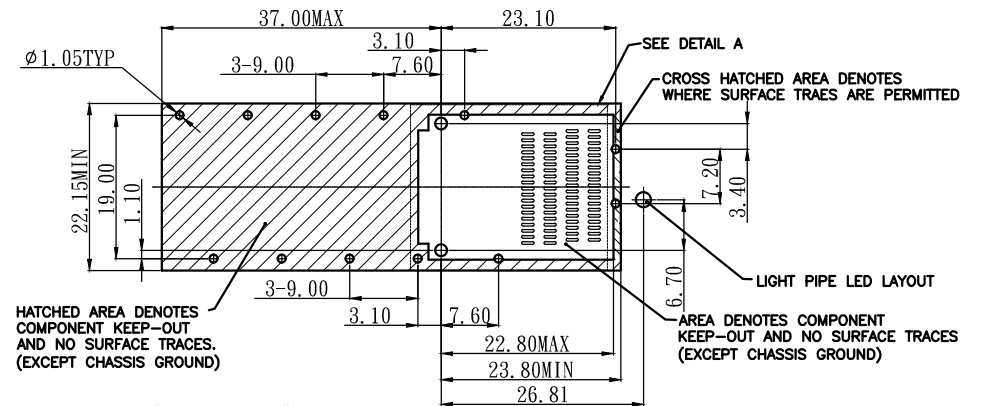
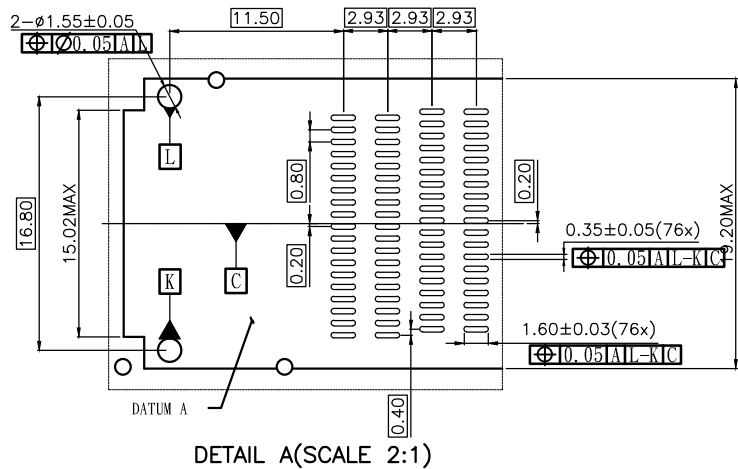
ORDER INFORMATION

QSFPD-SCQLP1HS28-76-LF

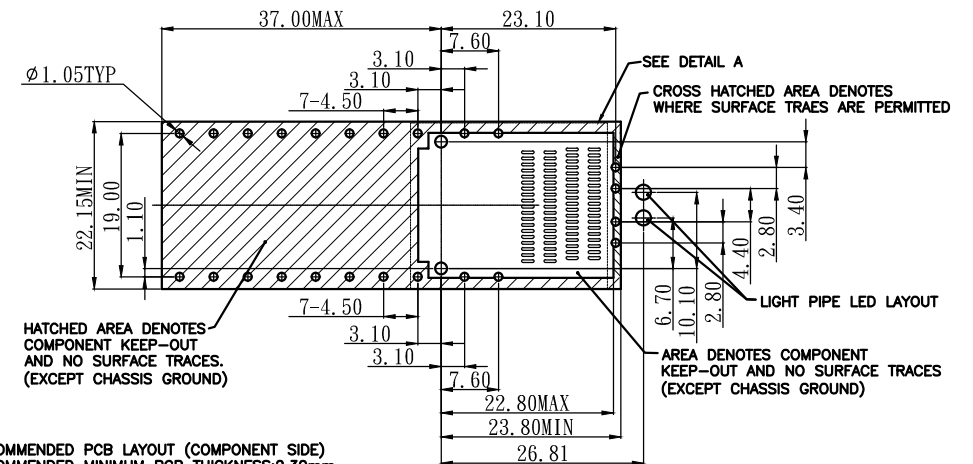
SERIES | | | | | LEADFREE

76 WAY
28.75mm HIGH
WITH HEAT SINK WITHOUT LIGHT PIPE
DIP 90° PRESS FIT

DESCRIPTION:



RECOMMENDED PCB LAYOUT (COMPONENT SIDE)
 RECOMMENDED MINIMUM PCB THICKNESS:1.57mm
 (ALL TOLERANCES ARE ±0.05)
 SINGLE SIDED APPLICATIONS



RECOMMENDED PCB LAYOUT (COMPONENT SIDE)
 RECOMMENDED MINIMUM PCB THICKNESS:2.30mm
 (ALL TOLERANCES ARE ±0.05)
 BELLY TO BELLY APPLICATIONS

RoHS Compliant

TOLERANCES ARE

MORETHANALL
 PCB CONNECTORS
 Cable ASSEMBLIES

煜倫股份有限公司

www.morethanall.com

DRAWING BY CY

CHECKED BY GENIUS

UNIT / mm

SCALE 1 : 1

DATE

SIZE A4

PJECTION

X, ±
 .X ± 0.25
 .XX ± 0.15
 .XXX ± 0.05
 ANG ±

照片框

ORDER INFORMATION

QSFPD-SCQLP1HS28-76-LF

SERIES

LEADFREE

76 WAY

28.75mm HIGH

WITH HEAT SINK WITHOUT LIGHT PIPE

LIGHT PIPE

DIP 90° PRESS FIT

FEMALE

CAGE

LEADFREE

76 WAY

28.75mm HIGH

WITH HEAT SINK WITHOUT LIGHT PIPE

LIGHT PIPE

DIP 90° PRESS FIT

DESCRIPTION: