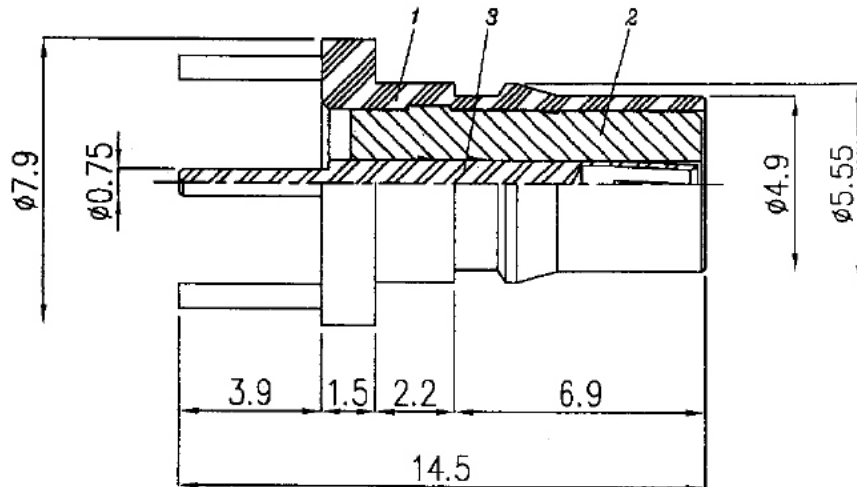
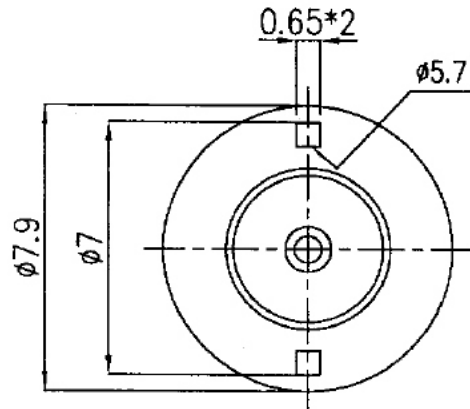


$\phi 1.2\text{min} * 2$   
 $\phi 1.0\text{min} * 1$   
 PCB MOUNTING HOLE



NO	DESCRIPTION	Q'TY	MATERIAL	PLATING
1	BODY	1	BRASS	GOLD
2	DIELECTRIC	1	TEFLON	--
3	CENTER PIN	1	PHOSPHOR BRONZE	GOLD

QMA-JD-50-LF  
 LEADFREE

RoHS Compliant


**MORETHANALL**  
 CONNECTORS  
 ASSEMBLIES

PART NO. QMA-JD-50

DWG NO. QMA-JD-50

FILE NO.

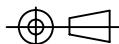
UNIT / mm

SCALE 1:1

CHECKED BY CY

DRAWING BY

PROJECTION



TOLERANCES ARE

$.X \pm 0.2$   
 $.XX \pm$   
 $.XXX \pm$   
 AWG

DESCRIPTION:

AREA

REVISIONS

HK

DATE

焯倫股份有限公司