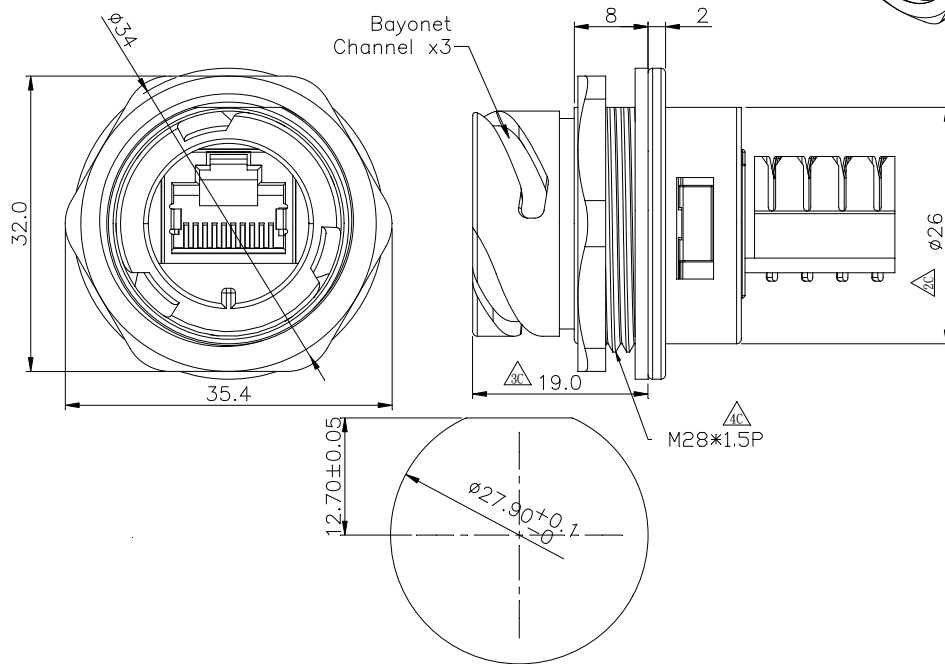
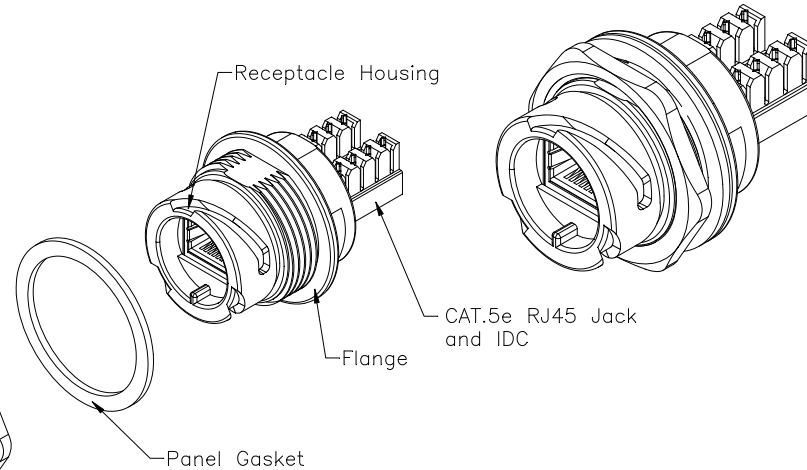
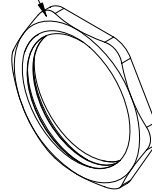


Panel Nut
(M28*1.5p)



Panel Cut-Out

Electrical Specifications:

Meets EIA/TIA-568-B.2 Cat.5e Specification
 Contact Resistance: 20 mOhm max
 Insulation Resistance: 500 MOhm min @100V DC
 Current Rating: 1.5A max
 Voltage Rating: 100VDC
 DWV: 1000V DC/60s min Contact to Contact, 1500V DC/60s
 Contact to Metal Shell
 Operating Temperature: 0°C TO + 70°C

Material and Finish

Receptacle Housing: Zn Alloy 3,Nickel Plated
 Panel Nut: Coper Alloy,Nickel Plated
 Panel Gasket: Silicone
 RJ45 Jack Metal Shell: Coper Alloy,Nickel Plated
 RJ45 Jack Plastic Housing:Engineering Thermoplastic Flammability
 Rating UL94 V-0
 RJ45 Jack Contact: Phosphor Bronze,finish:Gold over Nickel
 Color: Black
 Connector can be front mounted to a maximum panel thickness
 of 3.2mm.

RoHS Compliant

TOLERANCES ARE

MORETHANALL
 PCB CONNECTORS
 Cable ASSEMBLIES

煜倫股份有限公司

www.morethanall.com

DRAWING BY CY

CHECKED BY GENIUS

UNIT / mm SCALE 1 : 1

DATE

SIZE A4

X. ± 0.50
 .X ± 0.38
 .XX ± 0.25
 .XXX ± 0.10
 ANG ± 3°

PJECTION

照片框

ORDER INFORMATION

QLMRJ-STPBNW-0808-LF

SERIES | | | | LEADFREE
 | | | | 8P8C
 | | | | WASHER
 | | | | NUT
 FEMALE | | | | PANEL BACK
 | | | | TWIST ON

DESCRIPTION: 防水接頭(盒端加DC)