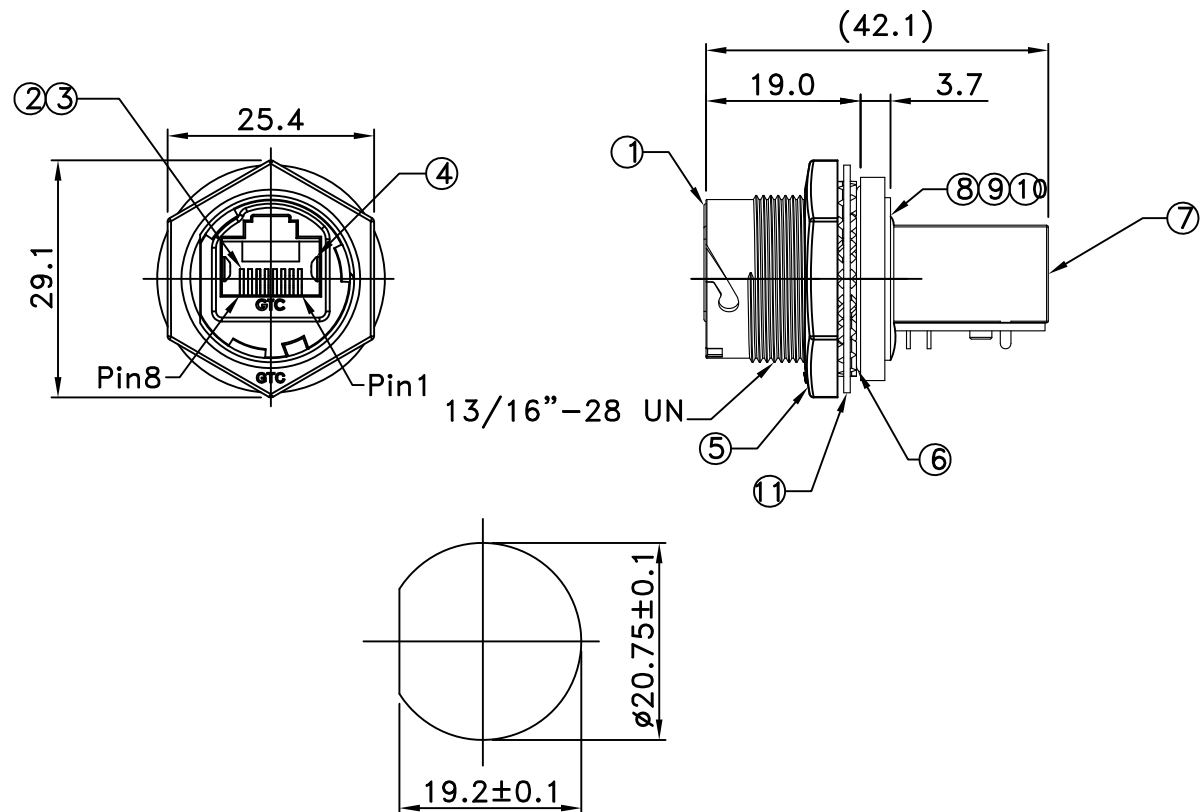


Notes: (Unless Otherwise Specified)

1. Waterproof Rate: IP68.
2. Recommend Panel Thickness: 0.8 to 3.0 mm.
3. Recommend Torque: 29~30 Kgf-cm.
4. RoHS Compliant.

11	Washer	Stainless Finish: —	1
10	Glue	Epoxy Color: Black	
9	PCB	FR-4 Color: —	1
8	Holder	Silicone Color: Black	1
7	RJ45 Receptacle	Shell: Copper Alloy; Finish: Ni Plated	1
		Housing: Thermoplastic; Color: Black	
		Contacts: Copper Alloy; Finish: Au Plated	
6	O-Ring	Silicone Color: Red	1
5	Hex Nut	Zn Alloy Finish: Ni Plated	1
4	EMI Shielded Plate	Copper Alloy Finish: Ni Plated	2
3	Holder	Thermoplastic Color: Black	1
2	RJ45 Receptacle	Housing: Thermoplastic; Color: Gray	1
		Contacts: Copper Alloy; Finish: Au Plated	
1	Housing	Zn Alloy Finish: Ni Plated	1
Item	Part Name	Material / Finish	Q'ty



Recommend
Panel Cut-Out

RoHS Compliant

TOLERANCES ARE

MORETHANALL
PCB CONNECTORS
Cable ASSEMBLIES

煜倫股份有限公司

www.morethanall.com

DRAWING BY CY

CHECKED BY GENIUS

UNIT / mm SCALE 1 : 1

DATE

SIZE A4

X, ±
.X ± 0.50
.XX ± 0.20
.XXX ± 0.05
ANG ± 1°

PJECTION

照片框

ORDER INFORMATION

QLMRJ-SRPBNW-0808-LF

SERIES | | | | LEADFREE
| | | | 8P8C
| | | | WASHER
| | | | NUT
FEMALE | | | | PANEL BACK
| | | | DIP 90°

DESCRIPTION: