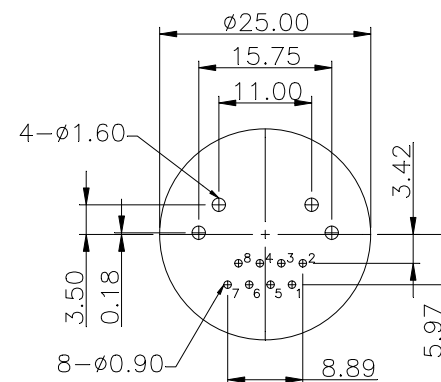


Note:

1. Housing:High Temp , Thermoplastic Flammability Rating UL 94V-0 .
2. Nut:Engineering Thermoplastic Flammability Rating UL 94V-0 .
3. Contact: Phosphor Bronze , Gold Plating Over Nickel ,
Tin Plating Over Nickel In Solder Area .
4. Shielded:Brass With Nickel Plating .
5. Gasket:Silicone .
6. Nut Installation Torque Range:16~18kg-cm.



PCB LAYOUT/TOP VIEW

RoHS Compliant

TOLERANCES ARE

MORETHANALL
PCB CONNECTORS
Cable ASSEMBLIES

DRAWING BY CY

X. ± 0.50

CHECKED BY GENIUS

.X ± 0.38

UNIT / mm

SCALE 1 : 1

.XX ± 0.25

.XXX ± 0.10

ANG $\pm 3^\circ$

DATE

SIZE A4

PPOJECTION

照片框

ORDER INFORMATION

QLKRJ-SDMPPBN-0808-LF

SERIES | | | | | LEADFREE

FEMALE | | | | | NUT | | | | | 8P8C
DIP 180° | | | | | POST | | | | | PANEL BACK
METAL FOOT

DESCRIPTION:

煜倫股份有限公司

www.morethanall.com