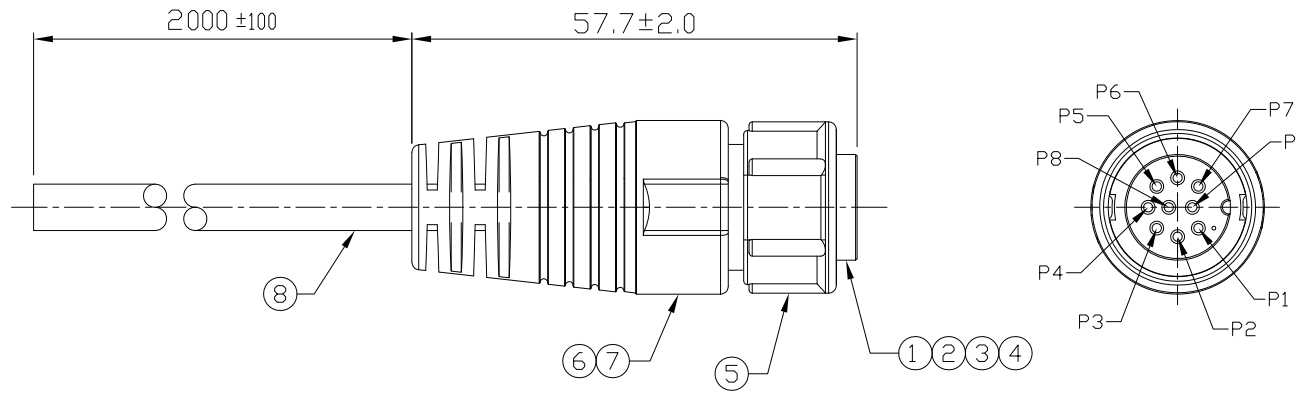


Notes: (Unless Otherwise Specified)

1. Waterproof Rate: IP67.
2. RoHS Compliant.



8	Cable	UL2464 24AWG*9C+D+AL/My ØD=6.0mm Color: Black	1
7	Over Mold	PVC Color: Black	1
6	Inner Mold	Thermoplastic Color: White Or Black	1
5	Lock Nut	Thermoplastic Color: Black	1
4	Base	Thermoplastic Color: Black	1
3	O-Ring	Silicone Color: Red	1
2	Contacts	Copper Alloy Finish: Au Plated	9
1	Housing	Thermoplastic Color: Black	1
Item	Part Name	Material/Finish	Q'ty

1	Black
2	Brown
3	Red
4	Orange
5	Yellow
6	Green
7	Blue
8	Violet
9	Gray

Wiring Diagram

GT153224-22091-10	10000 mm	±500
GT153224-22091-09	9000 mm	±450
GT153224-22091-08	8000 mm	±400
GT153224-22091-07	7000 mm	±350
GT153224-22091-06	6000 mm	±300
GT153224-22091-05	5000 mm	±250
GT153224-22091-04	4000 mm	±200
GT153224-22091-03	3000 mm	±150
GT153224-22091-02	2000 mm	
GT153224-22091-01	1000 mm	±50
GT153224-22091-Z9	900 mm	±40
GT153224-22091-Z8	800 mm	±40
GT153224-22091-Z7	700 mm	±40
GT153224-22091-Z6	600 mm	±40
GT153224-22091-Z5	500 mm	±40
GT153224-22091-Z4	400 mm	±40
GT153224-22091-Z3	300 mm	±40
Part No.	Cable Length	Tol.

RoHS Compliant

TOLERANCES ARE

MORETHANALL
PCB CONNECTORS
Cable ASSEMBLIES

煜倫股份有限公司

www.morethanall.com

DRAWING BY CY

CHECKED BY GENIUS

UNIT / mm

SCALE 1:1

DATE

SIZE A4

X, ±
.X ± 0.50
.XX ± 0.20
.XXX ± 0.05
ANG ± 1°

PJECTION

照片框

ORDER INFORMATION

QLK1613X1-090024-F2M-LF

SERIES

LEADFREE

2000mm

FEMALE

24 AWG

09 WAY

DESCRIPTION: C3 5A 9P Cable End Female Lock