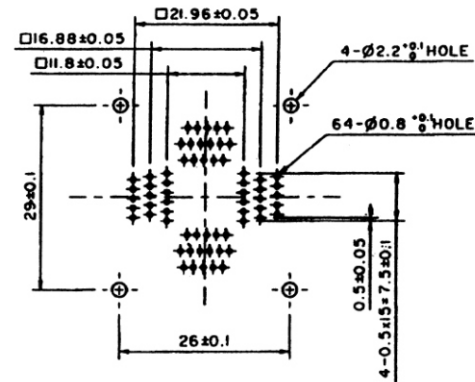
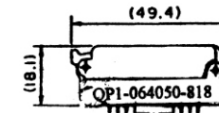


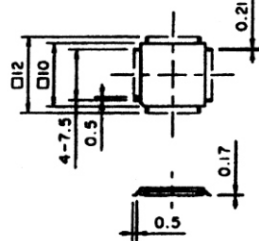
CONTACT PATTERN LOOKING DOWN THROUGH SOCKET



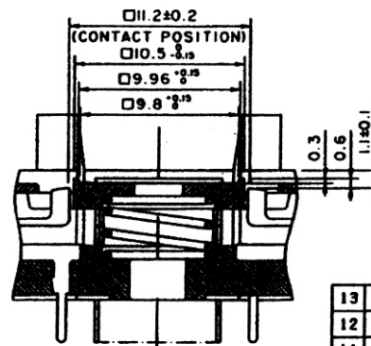
QFP05-DCS-064-LF
LEADFREE
RoHS Compliant



SIDE VIEW(out of scale)

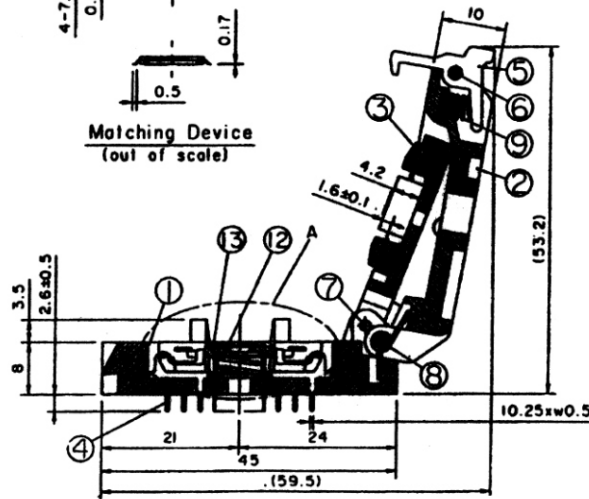


Matching Device
(out of scale)



DETAIL A(5:1)

<Characteristics>
Insulation Resistance: 1,000Mohms MIN at 500V DC
Breakdown Voltage: 700V AC one minute
Initial Contact Resistance: 30mohms MAX at 10mA 20mv
Operating Temperature Range: -55 °C ~ +170 °C
Typical Life: MIN 10,000 insertions at 25 °C
Contact Force: 80g(0.79N) Typical



SECTION X-X

| | | | | | |
|------|----------------|-----|------------|------------------------|----------------------|
| 13 | Floating Plate | 1 | CF10157673 | PES (GF) | Black |
| 12 | Coil Spring | 1 | CF10163395 | SUS 304-WP | |
| 11 | Coil Spring | 1 | CF10163155 | SUS 304-WP ∅0.5 | |
| 10-2 | Coil Spring | 1 | CF10163365 | SUS 304-WP ∅0.3 | |
| 10-1 | Coil Spring | 1 | CF10163355 | SUS 304-WP ∅0.3 | |
| 9 | Coil Spring | 1 | CF10163075 | SUS 304-WP ∅0.4 | |
| 8 | Shell | 1 | CF10177005 | C2700W-1/2H ∅1.6 | N305 |
| 7 | Shell | 2 | CF10177005 | C2700W-1/2H ∅1.6 | N305 |
| 6 | Shell | 1 | CF10177125 | C2700W-1/2H ∅1.6 | N305 |
| 5 | Latch | 1 | CF10156364 | PPS (GF) | Black |
| 4-3 | Contact | 20 | CF10150083 | C1720R-1/2H t 0.25 x W | W2.5.AMM/Aw0.25.A MM |
| 4-2 | Contact | 22 | CF10150073 | C1720R-1/2H t 0.25 x W | W2.5.AMM/Aw0.25.A MM |
| 4-1 | Contact | 22 | CF10150083 | C1720R-1/2H t 0.25 x W | W2.5.AMM/Aw0.25.A MM |
| 3 | Inner Lid | 1 | CF10157653 | PES (GF) | Black |
| 2 | Outer Lid | 1 | CF10156213 | PES (GF) | Black |
| 1 | Base | 1 | CF10157663 | PES (GF) | Black |
| Item | Description | Qty | Part Ident | Material | Color |

MORETHANALL
CONNECTORS
ASSEMBLIES

PART NO. QFP05-DCS-064

DWG NO. QFP05-DCS-064

FILE NO.

UNIT / mm

SCALE 1:1

CHECKED BY CY

DRAWING BY

PROJECTION

TOLERANCES ARE

.X ± 0.2
.XX ± 0.1
.XXX ±
AWG

DESCRIPTION:

AREA

REVISIONS

HK

DATE

焜倫股份有限公司