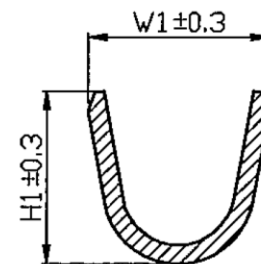
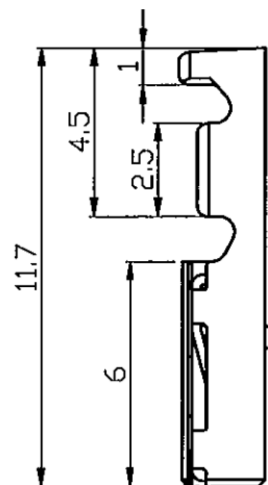
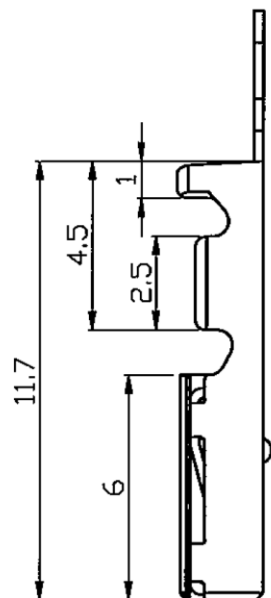
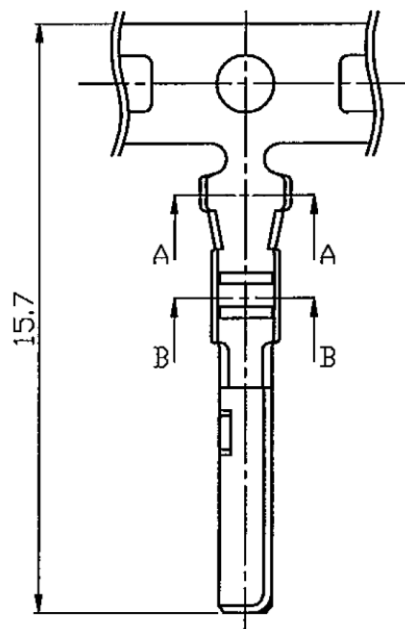
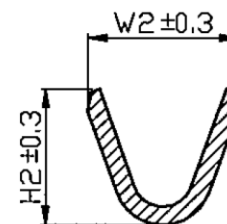


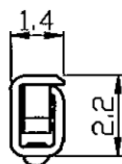
ITEM NO.	WIRE RANGE(mm ³)	SURFACE TREATMENT	MARKING	W1	H1	W2	H2
Q02520-FT-22	0.13~0.33 mm ² 26~22 A.W.G.	Pre-Tin		2.4	2.3	2.0	1.8



SECTION A-A
S=10/1



SECTION B-B
S=10/1



NOTE :
1. THICKNESS : 0.25 mm

MORETHANALL
PCB CONNECTORS
Cable ASSEMBLIES

煜倫股份有限公司

www.morethanall.com

RoHS Compliant

DRAWING BY CY
CHECKED BY GENIUS
UNIT / mm SCALE 1 : 1
DATE
SIZE A4

TOLERANCES ARE

X.±
.X±
.XX±
.XXX±
ANG±

PJECTION

照片框

ORDER INFORMATION

Q02520-FT-22-LF

SERIES | LEADFREE
22~26 AWG
FEMALE TERMINAL

DESCRIPTION: