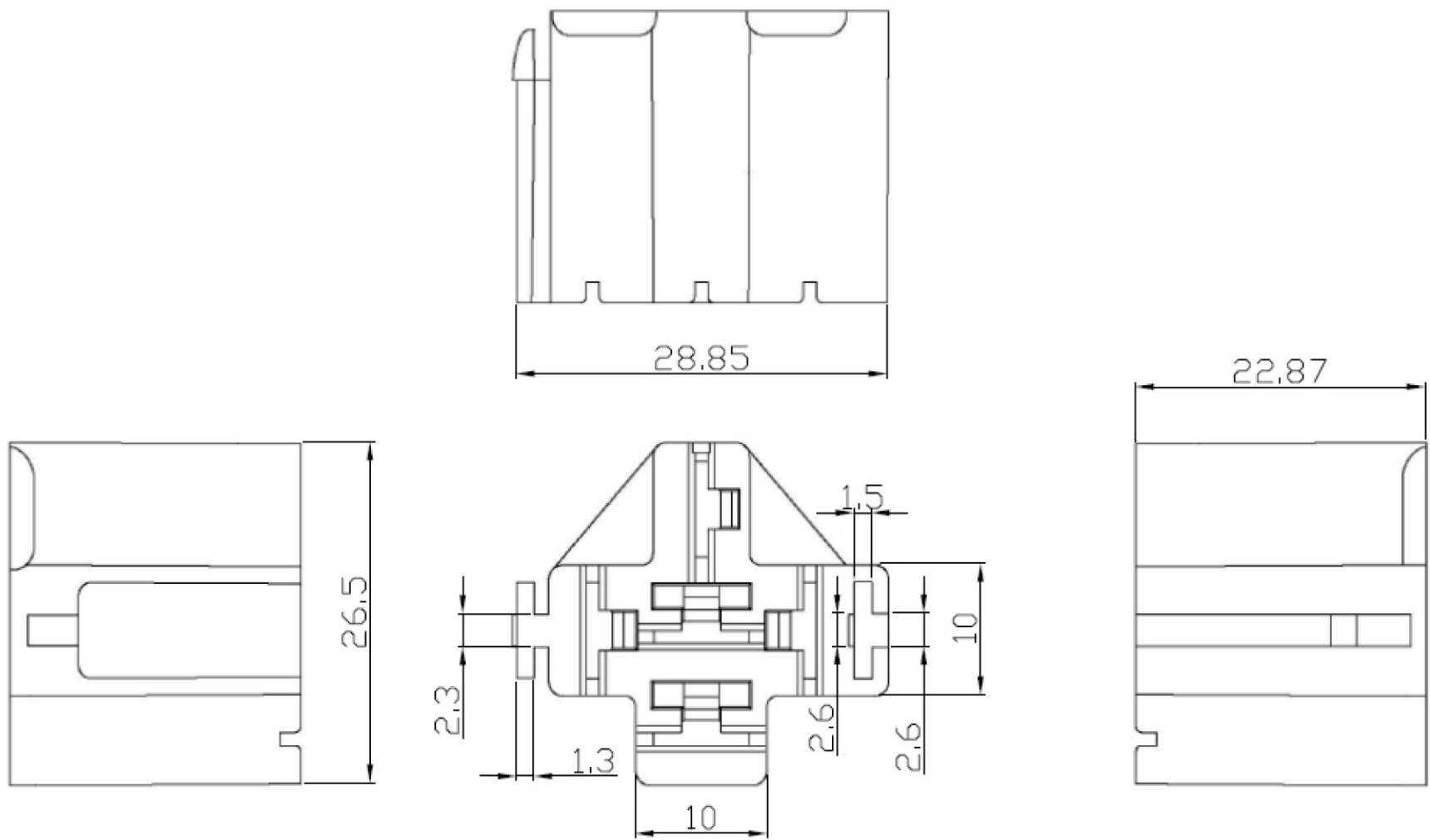


1 2 3 4 5 6 7 8 9 0

J
I
H
G
F
E
D
C
B
A



Q250-SH-5005-LF
LEADFREE
RoHS Compliant

	PART NO. Q250-SH-5005		TOLERANCES ARE X. ± .X ± .XX ± .XXX ± ANG ± 3°	DESCRIPTION: 250型塑殼			
	DWG NO. Q250-SH-5005						CHECKED BY CY
焯倫股份有限公司	FILE NO.		DRAWING BY		AREA	REVISIONS	DATE
	UNIT / mm	SCALE 1:1	PROJECTION				