

产品说明 Product Description:

1.表面处理 Surface treatment :

电镀Sn , Tin plating

2.外观 Appearance:

>30CM距离, <5S目视, 无腐蚀、刮伤、氧化
No corrosion, scratches, oxidation on surface
Inspection condition:

Inspect from >30cm away and for <5 seconds

3.环保: 符合ROHS&REACH

RoHS&REACH compliance: Yes

材质

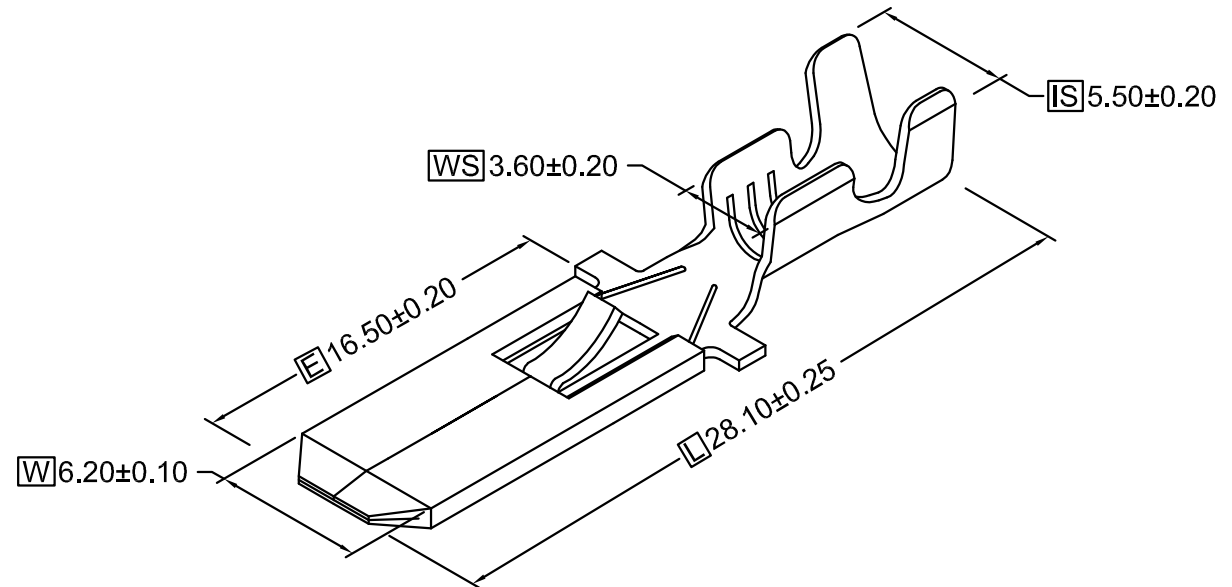
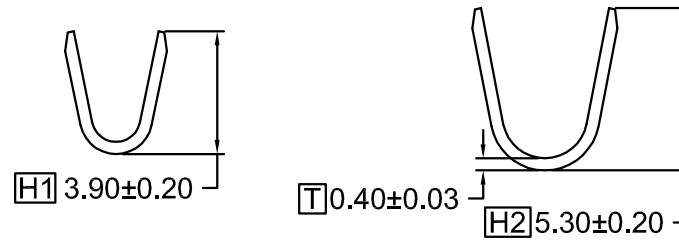
Material 黄铜Brass(C2680)

电线导体规格

Conductor 14~16AWG

包装数量

Packing Q' TY 4500Pcs/Reel



RoHS Compliant

TOLERANCES ARE

MORETHANALL
PCB CONNECTORS
Cable ASSEMBLIES

DRAWING BY CY

CHECKED BY GENIUS

UNIT / mm SCALE 1 : 1

DATE

SIZE A4

X, ±
.X ± 0.20
.XX ± 0.10
.XXX ± 0.05
ANG ±

PPOJECTION

照片框

ORDER INFORMATION

Q250-MT8LK-14-LF
SERIES
LEADFREE
14~16 AWG
LOCK
0.8t
TIN
MALE

煜倫股份有限公司

www.morethanall.com

DESCRIPTION: