

PART NO. 編號	SPEC. 規格	PITCH 間距	MM ² 線徑	AWG WIRE SIZE	MATERIAL 材質	FINISH 表面處理	PACKING Q'TY 包裝數量	REMARK 備註
	BSS	19.0	3.5~5.0	10~8	黃銅 Brass	預鍍錫 PRE-TIN	1000/R	

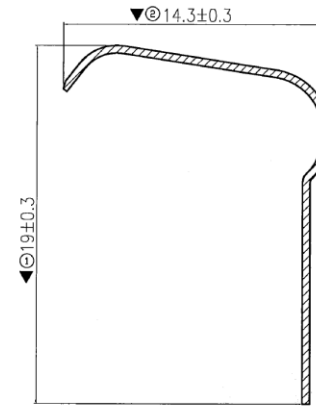
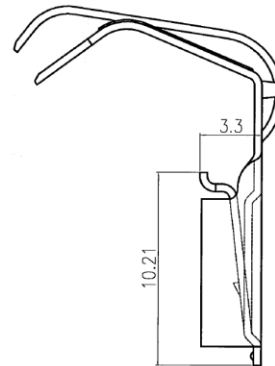
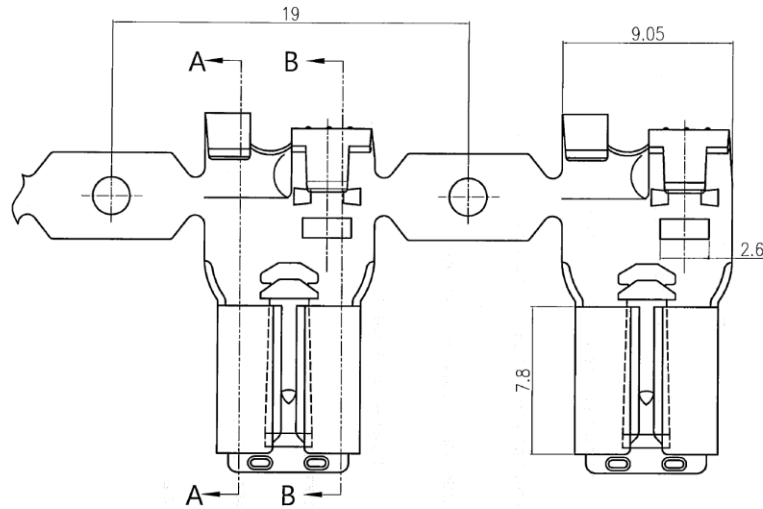
NOTES:

1. 插拔力:

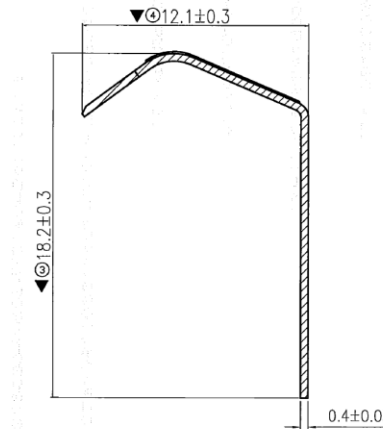
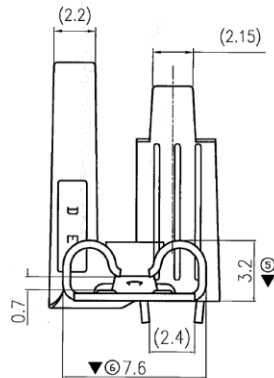
- 1.1 插入力 : 2.0~4.0 KGF
- 1.2 拔出力 : 8.0 KGF 以上

1. INSERTED/TENSILE FORCES:

- 1.1 INSERTED FORCE: 2.0~4.0 KGF.
- 1.2 TENSILE FORCE : 8.0 KGF MIN.



SECTION : A-A



SECTION : B-B

RoHS Compliant

TOLERANCES ARE

MORETHANALL
PCB CONNECTORS
Cable ASSEMBLIES

DRAWING BY CY

X. ±

CHECKED BY GENIUS

.X ±

UNIT / mm

SCALE 1 : 1

.XXX ±

DATE

ANG ±

SIZE A4

PJECTION

照片框

ORDER INFORMATION

Q250-GT8LS-08-LF
SERIES | LEADFREE
| 08~10AWG
| LOCK SPRING
| 0.8t
| TERMINAL
| FLAG

煜倫股份有限公司

www.morethanall.com

DESCRIPTION: