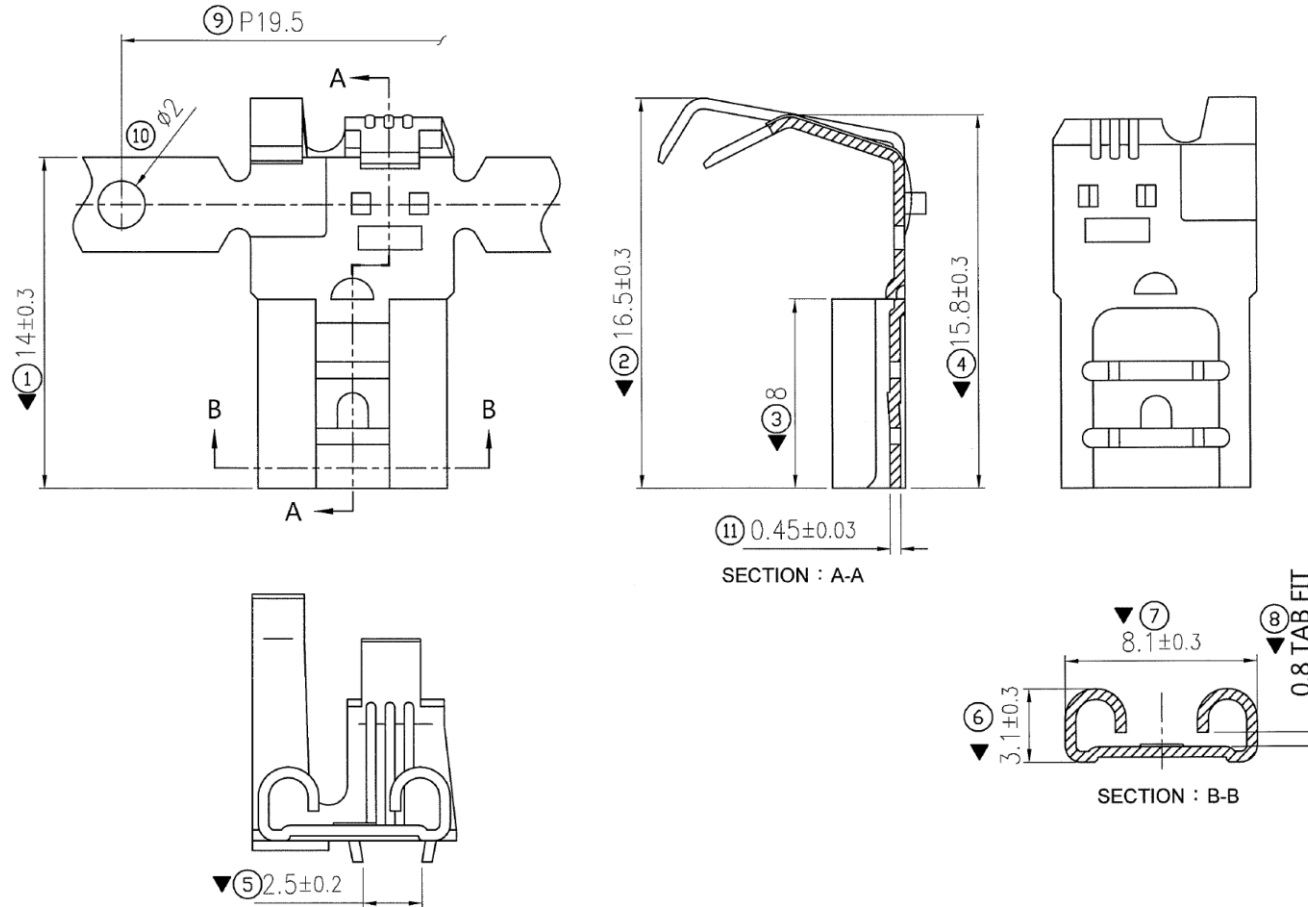


PART NO. 編號	PITCH 間距	MM ² 線徑	AWG WIRE SIZE	MATERIAL 材質	FINISH 表面處理	PACKING Q'TY 包裝數量	REMARK 備註
	19.5	0.8~2.0	18~14	黃銅 BRASS	預鍍錫 Pre-Tin	2000 Pcs/R	

NOTES:

- ▲ 1.插拔力：
 1.1 插入力：2.5~5.0 kgf
 1.2 拔出力：5.0~9.0 kgf
- 1.Mating/Unmating Force：
 1.1 Mating Force：2.5~5.0 kgf
 1.2 Unmating Force：5.0~9.0 kgf



RoHS Compliant

TOLERANCES ARE

MORETHANALL
 PCB CONNECTORS
 Cable ASSEMBLIES

DRAWING BY CY

X, ±

CHECKED BY GENIUS

.X ± 0.30

UNIT / mm

SCALE 1 : 1

.XX ± 0.25

DATE

.XXX ± 0.20

ANG ± 3°

SIZE A4

PJECTION

照片框

ORDER INFORMATION

Q250-GT8LK-14-LF
 SERIES LEADFREE
 14~18AWG
 LOCK
 0.8t
 TERMINAL
 FLAG

煜倫股份有限公司

www.morethanall.com

DESCRIPTION: