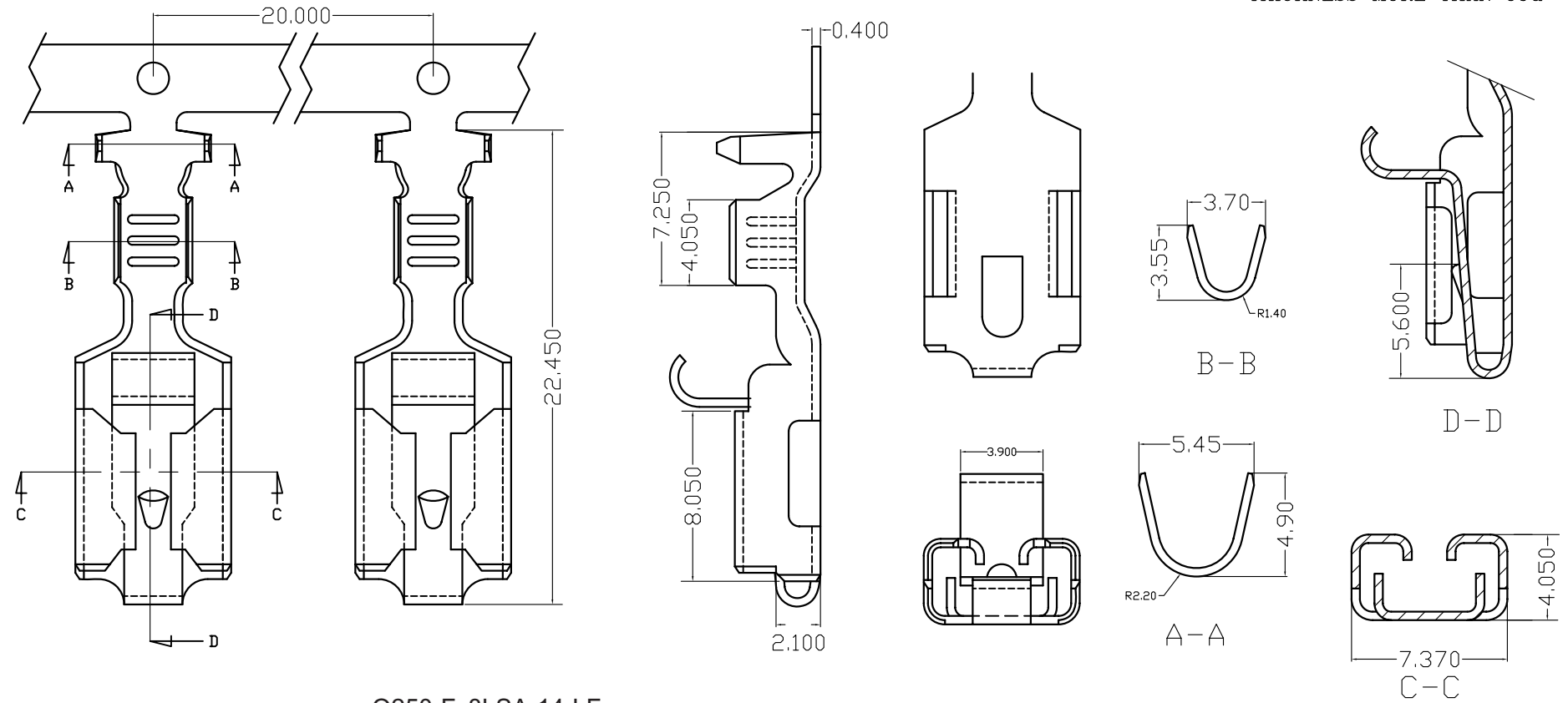


1 2 3 4 5 6 7 8 9 0

NOTE:
 1. 表面處理
 預鍍錫 60u"以上

1.SURFACE TREATMENT:
 PRE-TIN
 THICKNESS MORE THAN 60u"



Q250-Fx8LSA-14-LF
 LEADFREE
 B:BRASS
 T:TIN
 RoHS Compliant

材質 MATERIAL	JIS2680H	一般公差 GENERAL TOLERANCE	X : ±0.5 XX : ±0.3 X.XX : ±0.1	X.XXX : ±0.05 ANGLES ±3°	比例 SCALE	3.3/1
料厚 THICKNESS	0.4	包裝數量 PACKING Q'TY	2000 PCS/R	適用電線 WIRE RANGE	18~14	

Q250-FT8LSA-14	預鍍錫 PRE-TIN
Q250-FB8LSA-14	素材 NONE
PART NO.	FINISH

MORETHANALL
 CONNECTORS
 ASSEMBLIES

PART NO. Q250-Fx8LSA-14

DWG NO. Q250-Fx8LSA-14

CHECKED BY CY

TOLERANCES ARE

DESCRIPTION:

FILE NO.

DRAWING BY

.X ± 0.2
 .XX ±
 .XXX ±
 AWG

AREA

REVISIONS

HK

DATE

UNIT / mm

SCALE 1:1

PROJECTION

煜倫股份有限公司