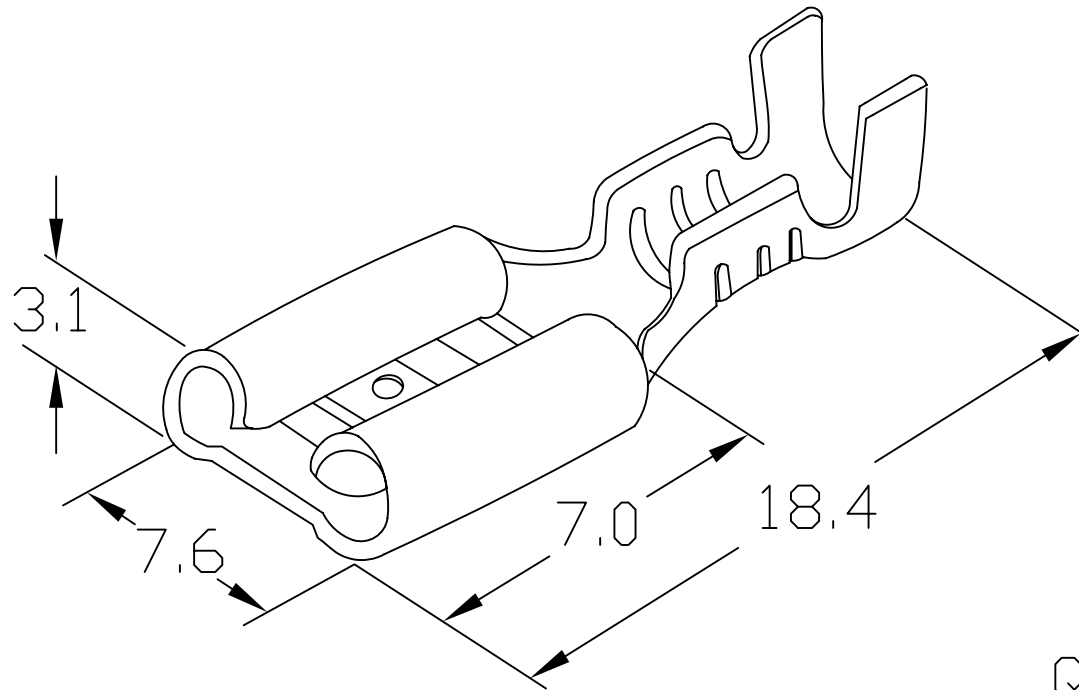


MATERIAL: BRASS
 WIRE: AWG#1.0~2.0
 THICKNESS: 0.4mm



Q250-FTx-18-LF
 LEADFREE
 5:FOR TAB 0.5mm
 8:FOR TAB 0.8mm

RoHS Compliant



PART NO. Q250-FTx-18

DWG NO. Q250-FTx-18

FILE NO.

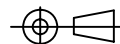
UNIT / mm

SCALE 1:1

CHECKED BY CY

DRAWING BY

PROJECTION



TOLERANCES ARE

.X ± 0.2
 .XX ±
 .XXX ±
 AWG

DESCRIPTION: 250 型端子 (母)

AREA

REVISIONS

HK

DATE

煜倫股份有限公司