

**MATERIAL**  
**INSULATION: VINYL**  
**MATERIAL: BRASS**  
**TIN PLATING**

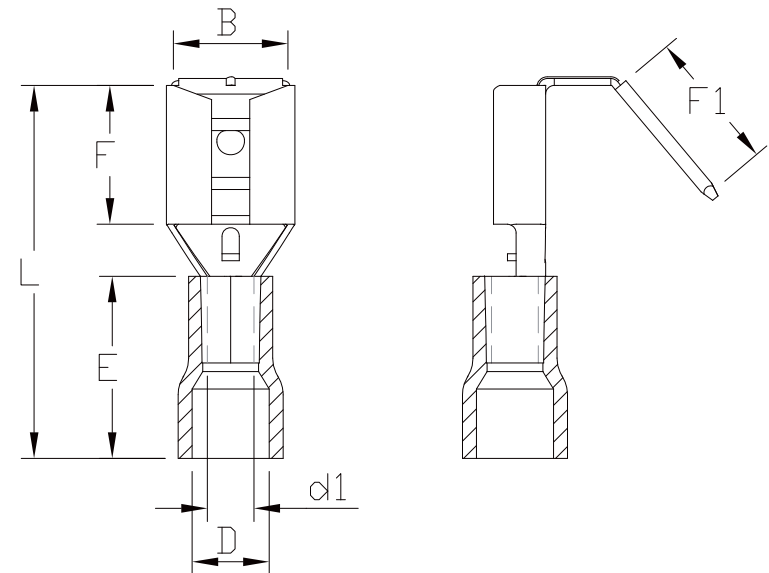
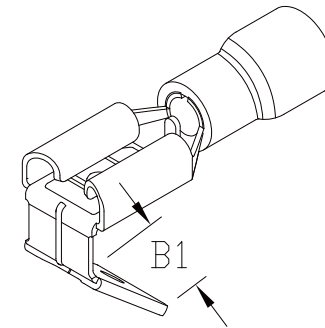
**MAXIMUM ELECTRIC CURRENT**

A. W. G	22	20	18	16	14	12	10
MAX AMP	3	4	7	10	15	20	24

**NOTE:**

1. MAXIMUM ELECTRICAL RATING: 105°C 300 VOLTS
2. WIRE RANGE: 22-16 AWG / 0.5-1.5 mm<sup>2</sup>  
INSULATED COLOR: RED
3. WIRE RANGE: 16-14 AWG / 1.5-2.5 mm<sup>2</sup>  
INSULATED COLOR: BLUE
4. WIRE RANGE: 12-10 AWG / 4-6 mm<sup>2</sup>  
INSULATED COLOR: YELLOW
5. MATERIAL THICKNESS: t  
TOLERANCE: ±0.05

WIRE RANGE AWG/mm <sup>2</sup>	產品編號 ITEM NO.	NEMA TAB	B ±0.20	B1 ±0.20	F ±0.30	F1 ±0.30	L ±1.00	E ±0.80	D ±0.30	d1 ±0.20	t
22-16 AWG 0.5-1.5 mm <sup>2</sup>	Q250-ET8V-16	0.8x6.4	6.6	6.35	8.0	8.2	21.0	10.0	4.0	1.7	0.4
16-14 AWG 1.5-2.5 mm <sup>2</sup>	Q250-ET8V-14	0.8x6.4	6.6	6.35	8.0	8.2	21.0	10.0	4.5	2.3	0.4
12-10 AWG 4-6 mm <sup>2</sup>	Q250-ET8V-10	0.8x6.4	6.6	6.35	8.0	8.2	23.5	12.5	5.5	3.4	0.4



**RoHS Compliant**

TOLERANCES ARE

**MORETHANALL**  
 PCB CONNECTORS  
 Cable ASSEMBLIES

**煜倫股份有限公司**

www.morethanall.com

DRAWING BY CY

CHECKED BY GENIUS

UNIT / mm SCALE 1:1

DATE

SIZE A4

X, ±  
 .X ±  
 .XX ±  
 .XXX ±  
 ANG ±

PPOJECTION

照片框

**ORDER INFORMATION**

**Q250-ET8V-xx-LF**

SERIES T LEADFREE  
 16: 16-22 AWG  
 14: 14-16 AWG  
 10: 10-12 AWG  
 PIGGYBACK TERMINAL VINYL  
 0.8t

DESCRIPTION: