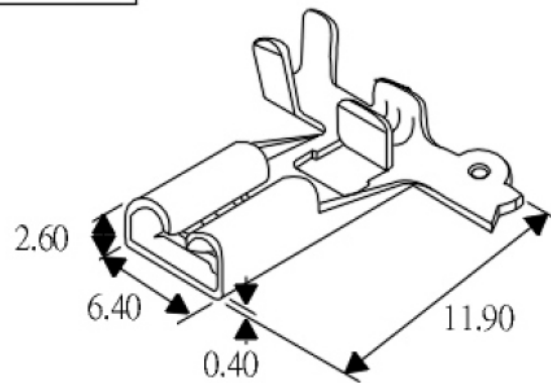
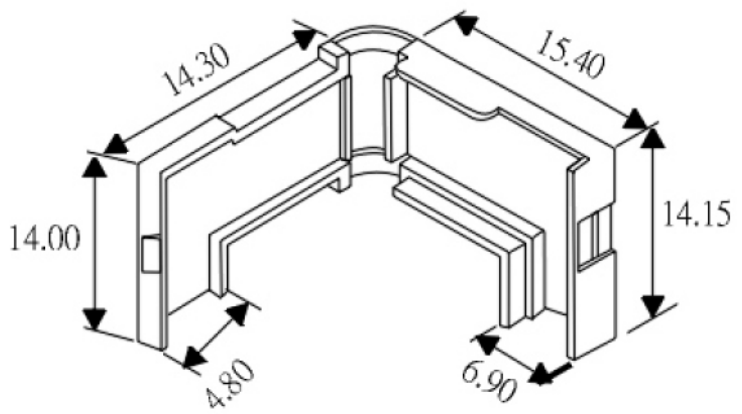
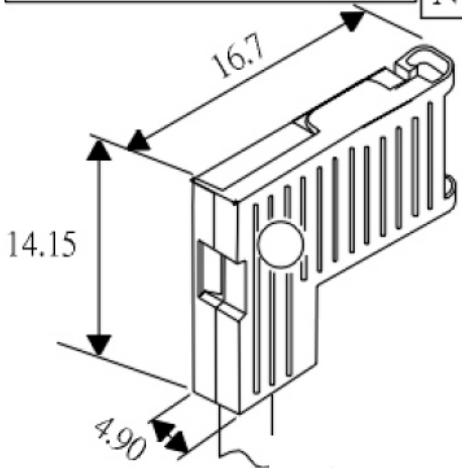


Q205 旗型 Flag Type	MATERIAL 材 質	APPLICABLE TERMINAL 適用端子	PACKING 包裝量
	NYLON-66 UL94V-2	Q205	BAG/1000PCS

Tolerance(公差): ±0.3 m/m



Q205-GN-01-LF
 LEADFREE
 RoHS Compliant



PART NO. Q205-GN-01		CHECKED BY CY	TOLERANCES ARE .X ± 0.2 .XX ± .XXX ± AWG	DESCRIP TION:			
DWG NO. Q205-GN-01							
FILE NO.		PROJECTION	AREA	REVISIONS	HK	DATE	
UNIT / mm	SCALE 1:1						

煜倫股份有限公司