

1 2 3 4 5 6 7 8 9 0

J

I

H

G

F

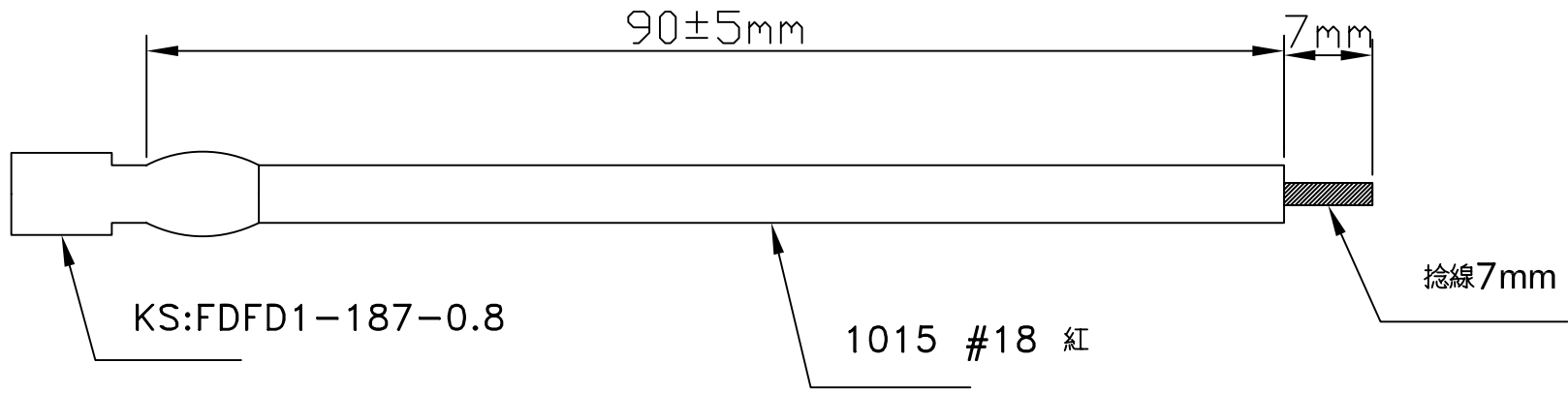
E

D

C

B

A



RoHS Compliant



PART NO. Q187X1-1S1X18RD-F9C

DWG NO. Q187X1-1S1X18RD-F9C

CHECKED BY CY

TOLERANCES ARE

DESCRIP TION:

FILE NO.

DRAWING BY

.X ± 0.2  
.XX ±  
.XXX ±  
AWG

AREA REVISIONS HK DATE

焯倫股份有限公司

UNIT / mm

SCALE 1:1

PROJECTION

AREA REVISIONS HK DATE